

4

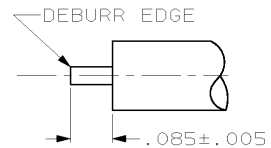
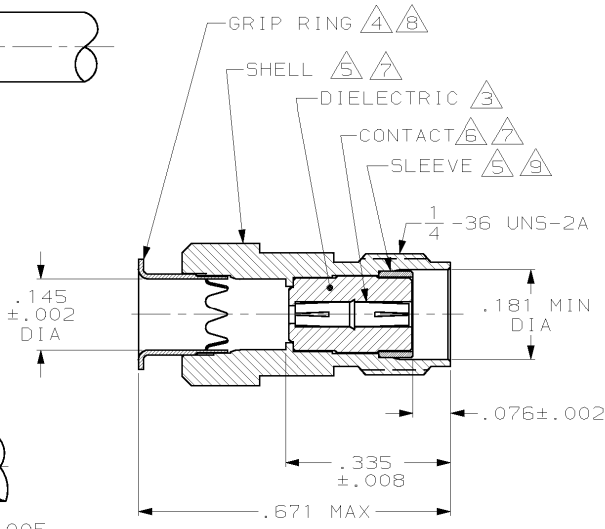
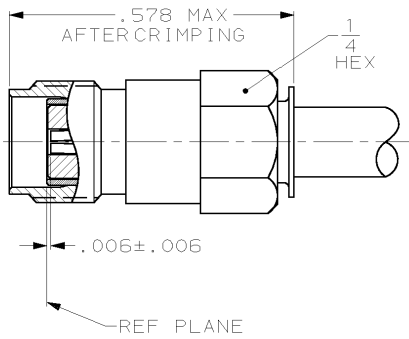
3

2

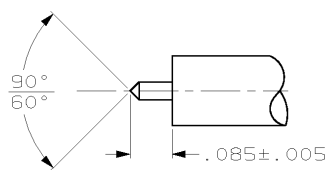
1

THIS DRAWING IS UNPUBLISHED. RELEASED FOR PUBLICATION .19
 © COPYRIGHT 19 BY AMP INCORPORATED. ALL RIGHTS RESERVED.

LOC	DIST	REVISIONS			
P	LTR	DESCRIPTION	DATE	DWN	APVD
AJ	16	C	REV PER 0U20-0173-00	07JUN00	MO JH



OPTIONAL STRIP LENGTH



RECOMMENDED STRIP LENGTH

- FOR USE WITH: RG-402/U, .141 SEMI-RIGID CABLE
- SEE I.S. 6788
- PTFE PER ASTM-D-1710.
- BRASS PER ASTM-B-36.
- STAINLESS STEEL PER ASTM-A-582
- BERYLLIUM COPPER PER ASTM-B-197.
- GOLD PL PER MIL-G-45204
- NICKEL PL PER QQ-N-290
- PASSIVATION PER QQ-P-35
- .500 MIN LENGTH OF STRAIGHT CABLE REQUIRED TO APPLY THE CONNECTOR

THIS DRAWING IS A CONTROLLED DOCUMENT.		DWN M. O'BRINE 07JUN00	AMP Incorporated Harrisburg, PA 17105-3608	
DIMENSIONS: mm		CHK J. HAVENER 07JUN00	NAME JACK, SERIES SMA	
TOLERANCES UNLESS OTHERWISE SPECIFIED: 0 PLC ± 1 PLC ± 2 PLC ± 3 PLC ± 4 PLC ± ANGLES ±		APVD J. HAVENER 07JUN00	PRODUCT SPEC 108-12055	
MATERIAL 3 THRU 6 THRU 7 THRU 9		FINISH	APPLICATION SPEC	RESTRICTED TO
SIZE A3		CAGE CODE 00779	DRAWING NO 228636-1	WEIGHT -
CUSTOMER DRAWING			SCALE 5:1	SHEET 1 OF 1