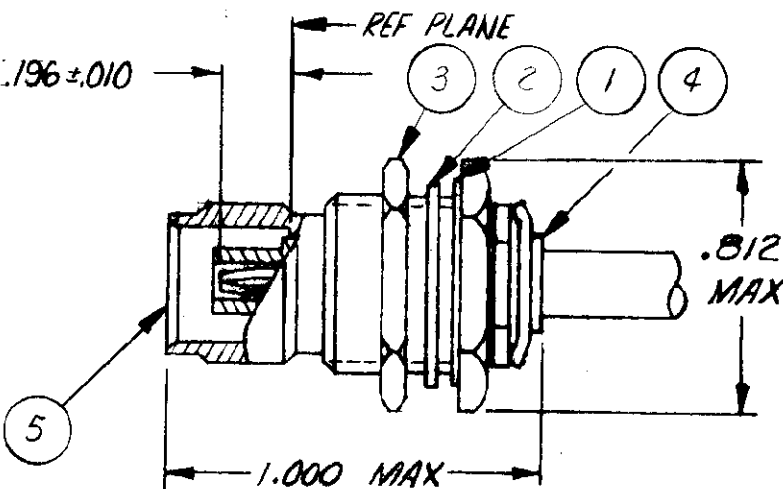
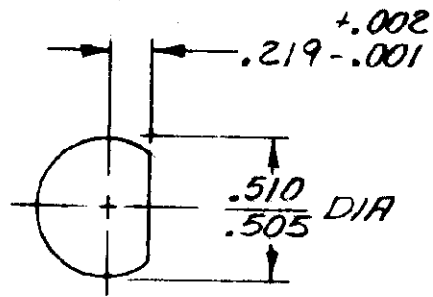


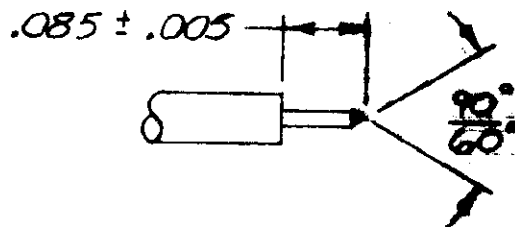
REVISIONS					
P	F	LTR	DESCRIPTION	DATE	APPROV
		B	REVISED PER FC 0220-0213-94	11/28/94	11/28/94



1. FOR USE WITH RG-402/U
.141 SEMI-RIGID CABLE
2. .250 MAX ~~WIRE~~ THK
3. USE INSTRUCTION SHEET 670



SUGGESTED PANEL CUTOUT



RECOMMENDED STRIP LENGTH

ITEM	QTY	DESCRIPTION	PART NO
5	1	JACK ASSY	228503-1
4	1	ADAPTOR ASSY	228996-1
3	1	JAM NUT	1-329631-2
2	1	LOCKWASHER	1-329632-2
1	1	GASKET	329633

THIS DRAWING IS UNPUBLISHED. RELEASED FOR PUBLICATION

COPYRIGHT 19

BY AMP INCORPORATED, HARRISBURG, PA. ALL INTERNATIONAL RIGHTS RESERVED. AMP PRODUCTS MAY BE COVERED BY U.S. AND FOREIGN PATENTS AND/OR PENDING PATENTS.

UNLESS OTHERWISE SPECIFIED, DIMENSIONS ARE IN INCHES. DECIMALS ON DIMENSIONS: 1/1000 ± .005

MATERIAL _____

TYPICAL _____

OTHER APPD _____

CONTRACT NO _____

DR *T. Smith* 9/20/82

CHK *R. L. Venturel* 8-26-82

APPD *R. H. [unclear]*

APPD *T. Smith* 8/21/82

DSGN APPD _____

OTHER APPD _____

AMP | AMP INCORPORATED
Harrisburg, Pa 17105

NAME *CONNECTOR, COAXIAL, RF JACK, REAR MOUNTED, SERIES TNC*

SIZE **A** | PFCM NO **00779** | DRAWING NO **228502-1**

SCALE *NTS* | SHEET _____