

4

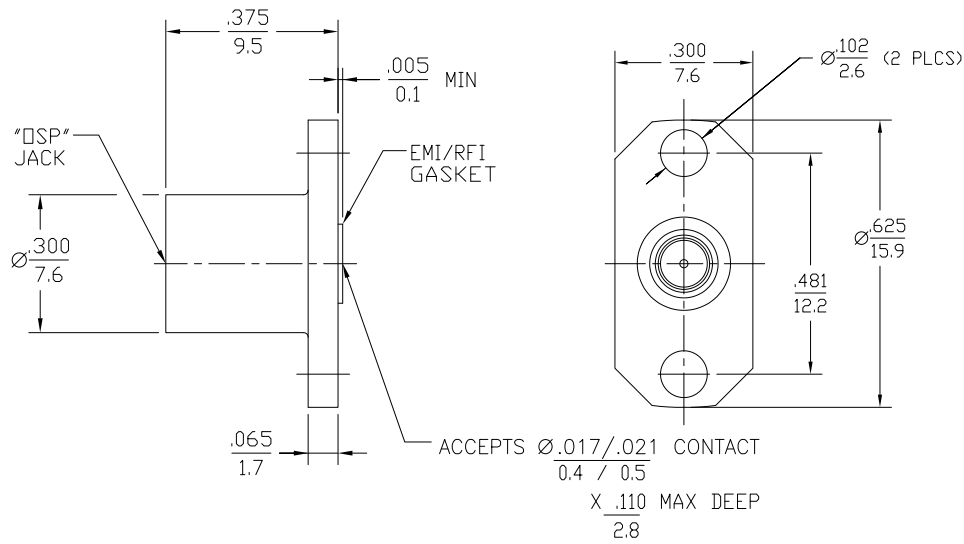
3

2

1

THIS DRAWING IS UNPUBLISHED. RELEASED FOR PUBLICATION
 © COPYRIGHT BY TYCO ELECTRONICS CORPORATION. ALL RIGHTS RESERVED.

LOC	DIST	REVISIONS			
P	LTR	DESCRIPTION	DATE	MIN	APD
AJ	00	RELEASED	01AUG2007	DW	FB



HOUSING	STAINLESS STEEL	PASSIVATE
DIELECTRIC	PTFE FLUOROCARBON	N/A
CENTER CONTACT	BERYLLIUM COPPER	GOLD PLATE
CONTACT RING	BERYLLIUM COPPER	GOLD PLATE
EMI GASKET	CONDUCTIVE ELASTOMERS	N/A
COMPONENT	MATERIAL	FINISH

THIS DRAWING IS A CONTROLLED DOCUMENT.		DRN	27JUL2007	Tyco Electronics Corporation	
DIMENSIONS:		CHK <td>30JUL2007 <td colspan="2">Harrisburg, PA 17105-3608</td> </td>	30JUL2007 <td colspan="2">Harrisburg, PA 17105-3608</td>	Harrisburg, PA 17105-3608	
INCHES		DR <td>30JUL2007 <td colspan="2">NAME</td> </td>	30JUL2007 <td colspan="2">NAME</td>	NAME	
OTHER DIMENSIONS:		APPD <td>30JUL2007 <td colspan="2">PRODUCT SPEC</td> </td>	30JUL2007 <td colspan="2">PRODUCT SPEC</td>	PRODUCT SPEC	
OTHER DIMENSIONS:		APPD <td>30JUL2007 <td colspan="2">APPLICATION SPEC</td> </td>	30JUL2007 <td colspan="2">APPLICATION SPEC</td>	APPLICATION SPEC	
OTHER DIMENSIONS:		APPD <td>30JUL2007 <td colspan="2">408-8292</td> </td>	30JUL2007 <td colspan="2">408-8292</td>	408-8292	
OTHER DIMENSIONS:		APPD <td>30JUL2007 <td colspan="2">SIZE</td> </td>	30JUL2007 <td colspan="2">SIZE</td>	SIZE	
OTHER DIMENSIONS:		APPD <td>30JUL2007 <td colspan="2">A2</td> </td>	30JUL2007 <td colspan="2">A2</td>	A2	
OTHER DIMENSIONS:		APPD <td>30JUL2007 <td colspan="2">CAGE CODE</td> </td>	30JUL2007 <td colspan="2">CAGE CODE</td>	CAGE CODE	
OTHER DIMENSIONS:		APPD <td>30JUL2007 <td colspan="2">1059599</td> </td>	30JUL2007 <td colspan="2">1059599</td>	1059599	
OTHER DIMENSIONS:		APPD <td>30JUL2007 <td colspan="2">DRAWING NO</td> </td>	30JUL2007 <td colspan="2">DRAWING NO</td>	DRAWING NO	
OTHER DIMENSIONS:		APPD <td>30JUL2007 <td colspan="2">RESTRICTED TO</td> </td>	30JUL2007 <td colspan="2">RESTRICTED TO</td>	RESTRICTED TO	
OTHER DIMENSIONS:		APPD <td>30JUL2007 <td colspan="2">-</td> </td>	30JUL2007 <td colspan="2">-</td>	-	
OTHER DIMENSIONS:		APPD <td>30JUL2007 <td colspan="2">CUSTOMER DRAWING</td> </td>	30JUL2007 <td colspan="2">CUSTOMER DRAWING</td>	CUSTOMER DRAWING	
OTHER DIMENSIONS:		APPD <td>30JUL2007 <td colspan="2">SCALE</td> </td>	30JUL2007 <td colspan="2">SCALE</td>	SCALE	
OTHER DIMENSIONS:		APPD <td>30JUL2007 <td colspan="2">4:1</td> </td>	30JUL2007 <td colspan="2">4:1</td>	4:1	
OTHER DIMENSIONS:		APPD <td>30JUL2007 <td colspan="2">SHEET</td> </td>	30JUL2007 <td colspan="2">SHEET</td>	SHEET	
OTHER DIMENSIONS:		APPD <td>30JUL2007 <td colspan="2">1 of 1</td> </td>	30JUL2007 <td colspan="2">1 of 1</td>	1 of 1	
OTHER DIMENSIONS:		APPD <td>30JUL2007 <td colspan="2">REV</td> </td>	30JUL2007 <td colspan="2">REV</td>	REV	
OTHER DIMENSIONS:		APPD <td>30JUL2007 <td colspan="2">A</td> </td>	30JUL2007 <td colspan="2">A</td>	A	

AMP 1471-9 REV 31MM2000

1059599

A