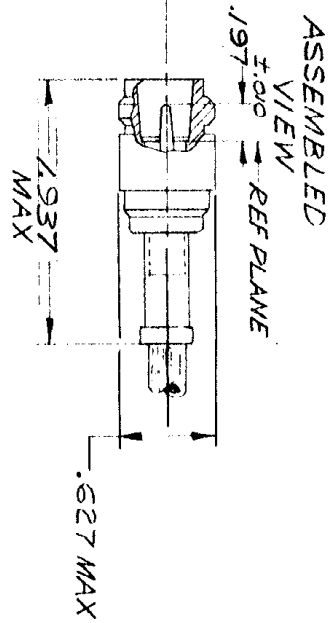


DRAWING MADE IN AMERICAN PROJECTION

© 1976 BY AMP INCORPORATED
 ALL RIGHTS RESERVED. NO PART OF THIS DRAWING
 MAY BE REPRODUCED OR TRANSMITTED IN ANY FORM
 OR BY ANY MEANS, ELECTRONIC OR MECHANICAL,
 INCLUDING PHOTOCOPYING, RECORDING, OR BY ANY
 INFORMATION STORAGE AND RETRIEVAL SYSTEM,
 WITHOUT PERMISSION IN WRITING FROM AMP INCORPORATED,
 3535 MARKET STREET, PHILADELPHIA, PA 19104
 PATENT NO. 3,840,800

REVISIONS		DATE	APPROVED
LTR	DESCRIPTION		
0	NPS 76-2749		

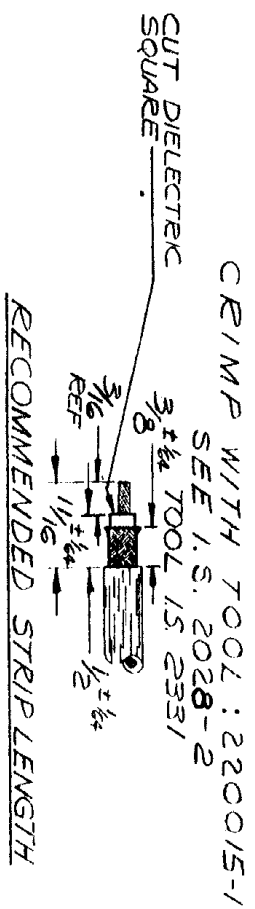
OC
 AU
 16
 PRINT DATE



FOR USE WITH
 RG-213/U & RG-8/U

TABLE OF CONTENTS

ITEM	QTY	DESCRIPTION	PART NO.
1	1	JACK BODY	225082-3
2	1	CONTACT	51704-2
3	1	FERRULE	1-33/987-5



UNLESS OTHERWISE SPECIFIED DIMENSIONS ARE IN INCHES. TOLERANCES ON: DECIMALS: ±.005 ANGLES: ±.005

CONTRACT NO. #
 DATE: 5/19/76
 APPD: 5/19/76
 RE: M. O. 51917b
 DS: APPD
 OTHER APPD

AMP INCORPORATED
 HARRISBURG, PENNSYLVANIA
 NAME: COAXICON-JACK
 TYPE: 1/4" 50 OHM WEATHER-PROOF

MATERIAL: T.P.

SIZE: A
 CODE IDENT NO.: 00779
 NUMBER: 225664-2

SCALE: 1/2" = 1" WT: 1.20Z MAX SHEET: 1 OF 1

225664-2

S