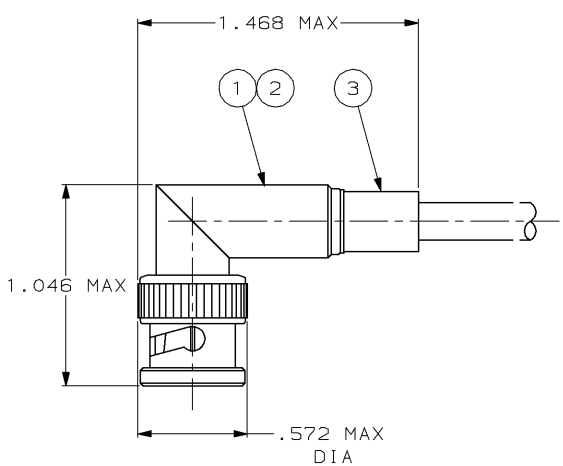


DRAWING MADE IN THIRD ANGLE PROJECTION

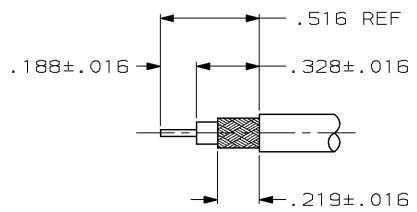
THIS DRAWING IS UNPUBLISHED. RELEASED FOR PUBLICATION, 19 .

© COPYRIGHT 19 BY AMP INCORPORATED, HARRISBURG, PA. ALL INTERNATIONAL RIGHTS RESERVED. AMP PRODUCTS MAY BE COVERED BY U.S. AND FOREIGN PATENTS AND/OR PATENTS PENDING.

LOC	DIST	P	F	ZONE	LTR	DESCRIPTION	DATE	APPROVED
AJ	16					E REVISED PER EC 0220-0720-95	06DEC95	MEC
		✓	✓			F REVISED PER 0503-0155-96	12-6-96	JG



1. FOR USE WITH: RG-58/U, 58A/U, 58B/U & 58C/U CABLE
2. USE HAND TOOL: 69478-1 FOR RG-58/U, 58A/U, 58B/U, & 58C/U CABLE
3. SEE I.S. 1914-5



RECOMMENDED STRIP LENGTH

QTY	PART NO	DESCRIPTION	ITEM NO
1	225381-2	FERRULE	3
1	331369	CONTACT	2
1	225975-1	PLUG ASSEMBLY	1

UNLESS OTHERWISE SPECIFIED TOLERANCES ON: 2 PL DEC ± - 3 PL DEC ± - ANGLES ± -	DR	W. ULRICH	9/14/82	AMP INCORPORATED Harrisburg, Pa. 17105			
	CHK	T. SMITH	9/15/82				
	APPD	DON SMITH	9/21/82				
	APPD	W. ULRICH	9/21/82				
MATERIAL	PRODUCT SPEC	108-12020		NAME	PLUG, RIGHT ANGLE DUAL CRIMP, BNC		
FINISH	APPLICATION SPEC	SIZE	B	FSCM NO	00779	DRAWING NO	225973-1
	WEIGHT	SCALE	2:1		SHEET	1 OF 1	

AMP 1470-15 REV 10-84

CUSTOMER DRAWING