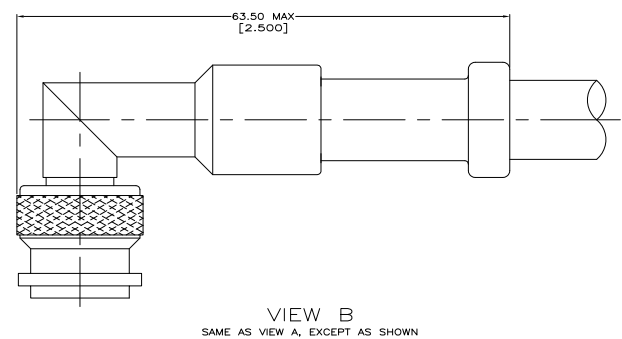
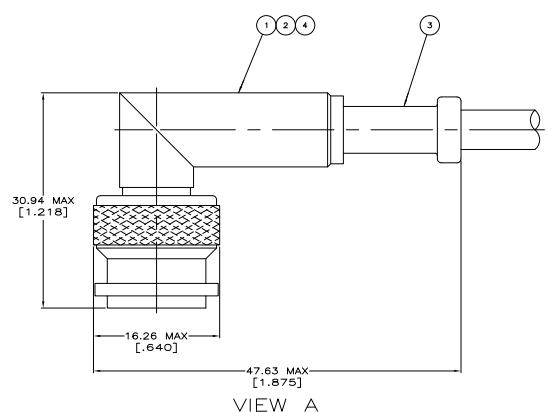


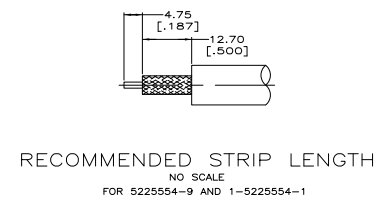
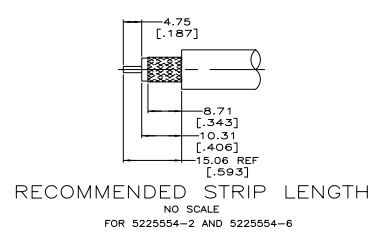
THIS DRAWING IS UNPUBLISHED. REPRODUCED FOR INFORMATION. ALL RIGHTS RESERVED.

REV	DATE	DESCRIPTION	BY	CHK	APP
AJ	16	REV PER ECO 06-00233		GB	JHT

1. USE INSTRUCTION SHEET 408-2299-5.



VIEW B
SAME AS VIEW A, EXCEPT AS SHOWN



RG-393/U	220015-1	332022	9-225490-1	225471-7	9-225518-0	B	1-5225554-1
RG-9/U, 9A/U & 214/U	220015-1	332022	9-331987-3	225599-1	9-225518-0	B	5225554-9
RG-142/U, 142A/U, 142B/U	220045-2	-	9-225560-6	225471-3	9-225518-2	A	5225554-6
RG-58A/U, 58C/U	220045-2	-	9-225560-5	225471-1	9-225518-1	A	5225554-2
CABLE	CRIMP TOOL	④ SEAL QTY=1	③ FERRULE QTY=1	② CONTACT QTY=1	① PLUG ASSEMBLY QTY=1	VIEW	PART NUMBER

THIS DRAWING IS A CONTROLLED DOCUMENT.

DESIGNER	DATE	REVISED	BY
APPROVED	DATE	REVISED	BY
DATE	DATE	DATE	DATE
108-12001	108-12001	108-12001	108-12001
PLUG, RIGHT ANGLE, WEATHERPROOF, TNC	PLUG, RIGHT ANGLE, WEATHERPROOF, TNC	PLUG, RIGHT ANGLE, WEATHERPROOF, TNC	PLUG, RIGHT ANGLE, WEATHERPROOF, TNC
DATE	DATE	DATE	DATE
A1	00779	5225554	5225554
CUSTOMER DRAWING	CUSTOMER DRAWING	CUSTOMER DRAWING	CUSTOMER DRAWING