

4

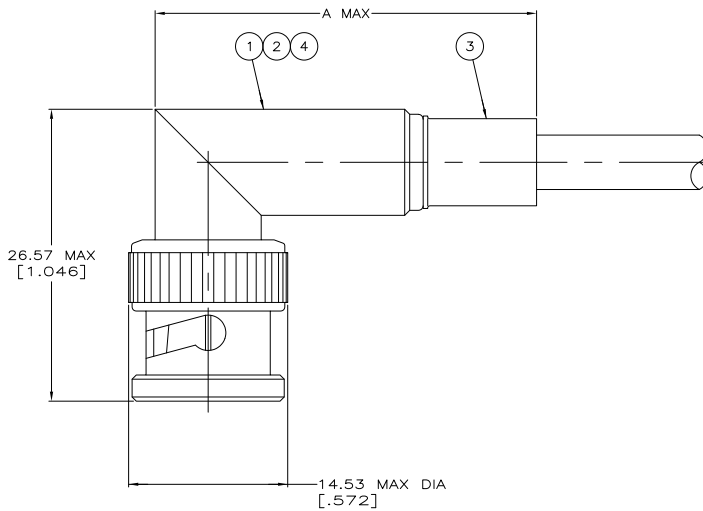
3

2

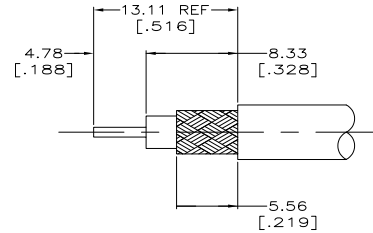
1

THIS DRAWING IS UNPUBLISHED. RELEASED FOR PUBLICATION
 © COPYRIGHT BY TYCO ELECTRONICS CORPORATION. ALL RIGHTS RESERVED.

LOC	DIST	REVISIONS			
F	LR	DESCRIPTION	DATE	BY	APP'D
P1		REV PER ECO-08-028905	2/6/2007	DW	JL
P2		REV PER ECO-09-021826	01AUG09	KK	AEG



- △ RG-58/U, RG-58A/U, RG-58B/U, & RG-58C/U
- △ RG-55/U, RG-55A/U, RG-55B/U, & RG-223/U
- △ RG-59/U, RG-59A/U, RG-59B/U, RG-62/U, RG-62A/U, & RG-62B/U
- △ BELDEN YR-14041 (223 SPECIAL)
- △ BELDEN 88240, HI-TEMP RG-58C/U, & BERK TEK BDTC 58
- △ RG-188/U, 316 TYPE, DOUBLE BRAIDED CABLE
- 7. SEE I.S. 1914-5
- △ OBSOLETE PARTS: OBSOLETE CIS STREAMLINING PER D.RENAUD/D.SINISI



RECOMMENDED STRIP LENGTH

SUPERSEDED BY 5225974-1	△	69478-1	39.12	1.540	-	9-225381-0	1-331369-6	225975-3	9-225974-0
	△	220009-1	37.29	1.468	227194-1	9-329049-0	1-331368-2	225975-6	1-225974-1
SUPERSEDED BY 225974-1	△	69478-1	39.12	1.540	-	9-228783-0	1-331369-6	225975-3	1-225974-0
OBSOLETE	△	69478-1	39.12	1.540	-	9-225382-0	331369	225975-5	225974-7
	△	69477-1	37.29	1.468	-	9-50428-0	2-331368-3	225975-4	225974-5
OBSOLETE	△	69478-1	39.12	1.540	-	9-225382-0	1-331369-6	225975-3	225974-2
	△	69478-1	39.12	1.540	-	9-225381-0	1-331369-6	225975-3	225974-1
CABLE SIZE	HAND TOOL	A	④ TUBING	③ FERRULE	② CONTACT	① PLUG ASSY	PART NUMBER		
			QTY=1	QTY=1	QTY=1	QTY=1			

THIS DRAWING IS A CONTROLLED DOCUMENT.		DATE	12-12-90	BY	J. LIPPERT	CHK	1-18-91	NAME	Tyco Electronics Corporation Harrisburg, PA 17105-3608
DIMENSIONS: mm [INCHES]		DESIGNER	M. PHILLIPS	DATE	1-18-91	PRODUCT SPEC	108-12020	SIZE	A2
TOLERANCES UNLESS OTHERWISE SPECIFIED:		APPLICATION SPEC		WEIGHT		CAGE CODE	00779	DRAWING NO	C=225974
0 PLG ± .010		RESTRICTED TO							
1 PLG ± .010									
2 PLG ± .010									
3 PLG ± .010									
4 PLG ± .010									
ANGLES ± .010									
MATERIAL FINISH									
CUSTOMER DRAWING		SCALE	4:1	SHEET	1 of 1	REV	P2		

AMP 1471-9 REV 31MM2000

225974

A