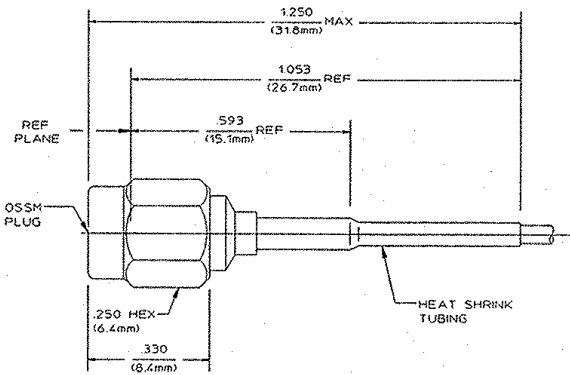


DESIGNED FOR USE WITH RG-178, 196/U FLEX CABLE		REVISIONS		
REV	DESCRIPTION	DATE	APPROVED	
--	REVISED	2/3/94	Def 2/3/94	
HOUSING				
CONTACT				



ELECTRICAL	
Nominal Impedance (Ohms)	50
Frequency Range (GHz) DC to MAX	
Operating Frequency of the Applicable Cable, PER MIL-C-17	
Volt Rating (VRMS MAX) @ Sea Level	250
VSWR	1.07 - 0.15MHz
Insertion Loss (dB MAX) @ Sea Level	0.2 (1GHz)
RF Leakage (dB MIN -160-(GHz))	
Corona, 70,000 Ft (VRMS MIN)	190
Dielectric Withstanding Voltage (VRMS MIN) @ Sea Level	750
Contact Resistance (Milliohms MAX)	
Center Contact	4.0
Outer Contact	2.0
Cable to Housing	5.0
RF High Potential @ Sea Level (VRMS MIN @ 5 MHz)	500
IR (Megohms MIN)	5000

MECHANICAL	
Interface Dimensions MIL-STD-348A, Fig. 319-1	
Recommended Mating Torque	4 to 5 in/Lbs
Mating Characteristics:	
Insertion (MAX Lbs)	3.0
Withdrawal (MIN Oz)	1.0
Force to Engage and Disengage (in/Lbs MAX)	2.0
Center Contact Captivation:	
Axial (Lbs)	N/A
Radial (in/Oz)	N/A
Cable Retention:	
Axial Force (Lbs)	10
Torque (in/Oz)	N/A
Weight (Grams)	1.8

ENVIRONMENTAL	
Temperature Rating	-25°C to +105°C
Vibration	MIL-STD-202, Method 204, Condition D
Shock	MIL-STD-202, Method 213, Condition 1
Thermal Shock	MIL-STD-202, Method 107, Condition C, Except High Temp +200°C, when Used with +200°C Cable PER MIL-C-17
Moisture Resistance	MIL-STD-202, Method 106, Except Vibration Shall Be Omitted
Corrosion	MIL-STD-202, Method 101, Condition B, 5% salt spray

HOUSING	STAINLESS STEEL PER ASTM-A484 AND ASTM-A582, TYPE 303	GOLD PLATE PER MIL-G-45204 OVER NICKEL PLATE PER OO-N-290
COUPLING NUT	STAINLESS STEEL PER ASTM-A484 AND ASTM-A582, TYPE 303	PASSIVATE PER ASTM-A380
DIELECTRIC	TFE FLUOROCARBON PER ASTM-D-1457	N/A
CENTER CONTACT	BERYLLIUM COPPER PER ASTM-B196, ALLOY C17300, CONDITION H	GOLD PLATE PER MIL-G-45204 OVER COPPER PLATE PER MIL-C-14550
RETAINING RING	BERYLLIUM COPPER PER ASTM-B196, ALLOY C17200, CONDITION H	N/A
GASKET	SILICONE RUBBER PER ZZ-R-765	N/A
SHRINK TUBING	HEAT SHRINKABLE POLYOLEFIN COMPOUND MIL-I-23053/4	N/A
FERRULE	SOFT COPPER ALLOY	GOLD PLATE PER MIL-G-45204 OVER COPPER PLATE PER MIL-C-14550
COMPONENT	MATERIAL	FINISH

UNLESS OTHERWISE SPECIFIED DIMENSIONS ARE IN INCHES	DATE	1/13/72
TOLERANCE ON	DRAWN BY	D.N.
FRACTIONAL DECIMAL ANGLES	CHECKED BY	R.M.F. 1/19/72
+ .004 + .005 + .1"	APPROVED BY	P.B.B. 1/19/72
These drawings and specifications are the property of MACOM. Spectra incorporated and shall not be reproduced or copied or used in whole or in part as the basis for the manufacture or sale of parts without written permission.	USE ASSY PROCEDURE	
	NO AP. JD. 002.	

MACOM INTERCONNECT DIVISION		M/A-COM Interconnect Division Waltham, Massachusetts 02254	
TITLE OSJM STRAIGHT CABLE PLUG-SOLDER ATTACHMENT			
SIZE 8	CODE IDENT NO 26805	1031-5001-02	REV 01
SCALE 4:1			SHEET 1 OF 1

CUSTOMER
Type PART # 1045477
SHEET 1 OF 1 REV 0