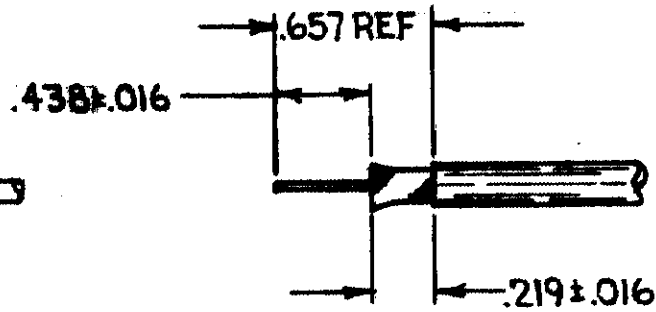
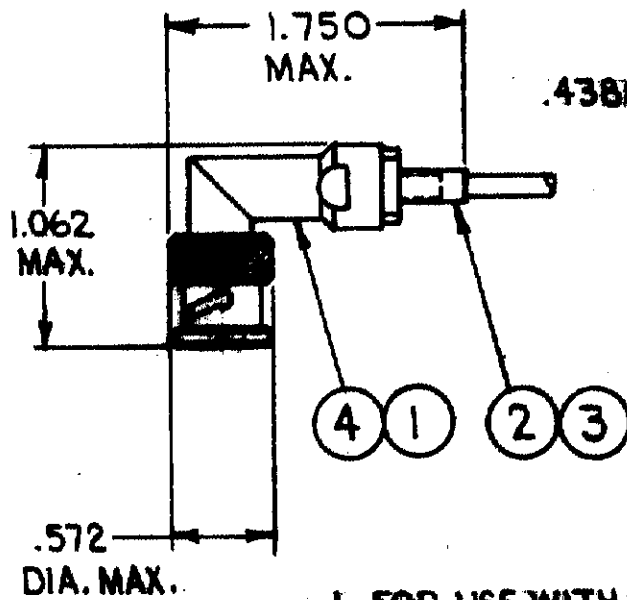


THIS DRAWING IS UNPUBLISHED. RELEASED FOR PUBLICATION
 BY AMP INCORPORATED, HARRISBURG, PA. ALL INTERNATIONAL RIGHTS
 RESERVED. AMP PRODUCTS MAY BE COVERED BY U.S. AND FOREIGN PATENTS AND/OR PATENTS PENDING.

| REVISIONS | | | | | |
|-----------|----|-----|---------------------------------|---------|----------|
| P. | F. | UTR | DESCRIPTION | DATE | APPROVED |
| ✓ | | G | REVISED/REDRAWN PER ECN C82-012 | 1-20-83 | PK. |
| ✓ | | H | REVISED PER ECN AJ-1056 | 2/18/85 | MPK/MB |



RECOMMENDED STRIP LENGTH

1. FOR USE WITH: RG-174/U & 188/U
2. USE CRIMPING TOOL: 69245-1
3. SEE I.S.: 1799-5

| 4 | 1 | GASKET | 2-329106-1 |
|------|------|------------------------|------------|
| 3 | 1 | CRIMP END ASSY | 50793-9 |
| 2 | 1 | FERRULE | 328666 |
| 1 | 1 | PLUG ASSY, RIGHT ANGLE | 330797 |
| ITEM | QTY. | DESCRIPTION | PART NO |

UNLESS OTHERWISE SPECIFIED DIMENSIONS ARE IN INCHES. TOLERANCES ON:
 DECIMALS ±
 ANGLES ±

MATERIAL
 H

FINISH
 H

CONTRACT NO
 DR *P. Kerlin* 4/20/83
 CHK *R. C. V. ...* 5-5-83
 APPD *M. ...* 4/14/84
 DSGN APPD
 OTHER APPD

AMP | AMP INCORPORATED
 Harrisburg, Pa. 17105

NAME
 CONNECTOR, COAXIAL, RF, PLUG,
 RIGHT ANGLE, SERIES BNC

SIZE **A** FSCM NO **00779** DRAWING NO **331178**

SCALE **NTS** SHEET **H**