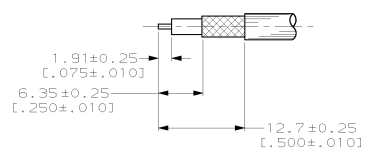
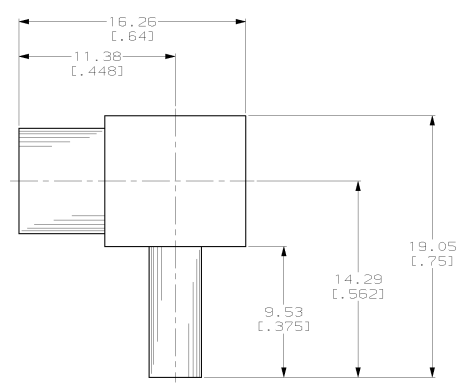


THIS DRAWING IS UNPUBLISHED. RELEASED FOR PUBLICATION
 © COPYRIGHT 19 BY AMP INCORPORATED. ALL RIGHTS RESERVED.

LOC	QTY	REV	DESCRIPTION	DATE	BY	APP'D
AJ	16	F	LTR			
		H	REVISED PER EC 0020-0468-01	01NOV01	DLD	KEW



RECOMMENDED STRIP LENGTH
 SCALE: NTS

- MATERIALS:
 BODY...BRASS PER QQ-B-626
 CENTER AND OUTER CONTACT...
 BERYLLIUM COPPER PER
 QQ-C-530
 DIELECTRIC...TFE PER
 ASTM-D-1710
- FINISH:
 BODY...NICKEL PER QQ-N-290
 CENTER AND OUTER CONTACT...
 GOLD PER MIL-G-45204
- MIL HAND TOOL: M22520/5-01
- FINISH:
 BODY AND OUTER CONTACT...
 NICKEL PER QQ-N-290
 CENTER CONTACT...GOLD PER
 MIL-G-45204
- FINISH:
 BODY, OUTER CONTACT AND
 CENTER CONTACT... GOLD PER
 MIL-G-45204
- SEE I.S. SHEET 2987-9

OBSOLETE	C	58483-1	.151	HX4-1607	△5	RG 180,195	1-414048-6
OBSOLETE	B	58483-1	.128	HX4-1607	△5	RG 179,187	1-414048-5
OBSOLETE	C	58483-1	.151	HX4-1607	△4	RG 180,195	1-414048-4
SUPSD BY 414048-6	B	58483-1	.128	HX4-1607	△4	RG 179,187	1-414048-3
OBSOLETE	C	58483-1	.151	HX4-1607	△3	RG 180,195	414048-8
	B	58483-1	.128	HX4-1607	△2	RG 179,187	414048-6

POSITION LETTER	AMP DIE SET	HEX SIZE	DANIELS DIE SET	NOTES	CABLE	PART NUMBER
	AMP PRO-CRIMPER FOR BRAID CRIMP	M 22520/5-01				

TOOLING INFORMATION

THIS DRAWING IS A CONTROLLED DOCUMENT.		DW K. HELIG 05MAR92	AMP Incorporated Harrisburg, PA 17105-3608
DIMENSIONS mm [INCHES]		CHK G. MICHAEL 05MAR92	
TOLERANCES UNLESS OTHERWISE SPECIFIED.		APP'D G. MICHAEL 05MAR92	
Ø PLC	±.0005	NOTE	PLUG, CRIMP CABLE, RTANG, 75 OHM, SMB
Ø PLC	±.001	PRODUCT SPEC	
Ø PLC	±0.25(.010)	APPLICATION SPEC	
Ø PLC	±0.131(.005)	REWORK	
Ø PLC	±.001	FINISH	SIZE CASE CODE DRAWING NO. RESTRICTED TO A200779 C-414048
MATERIAL	SEE NOTES	CUSTOMER DRAWING	SCALE NTS SHEET 1 OF 1 REV H

414048