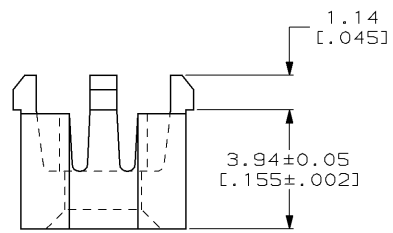


DRAWING MADE IN THIRD ANGLE PROJECTION

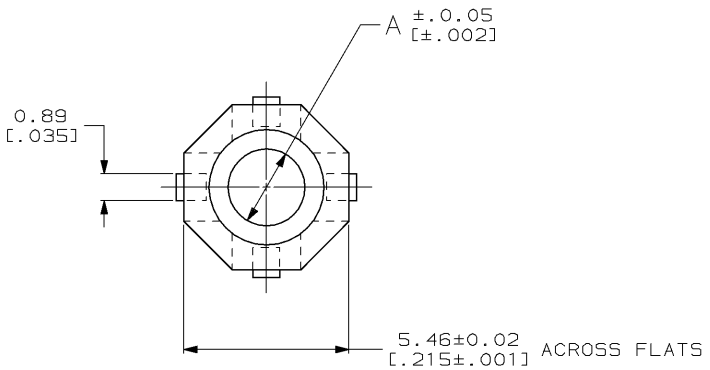
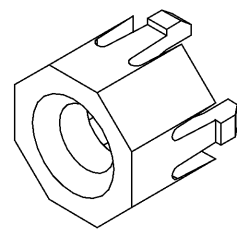
THIS DRAWING IS UNPUBLISHED. RELEASED FOR PUBLICATION, 19 .

© COPYRIGHT 19 BY AMP INCORPORATED. ALL INTERNATIONAL RIGHTS RESERVED.

LOC	DIST	REVISIONS				DATE	APPD
		ZONE	LTR	DESCRIPTION			
AD	25			ECN AD	01/18/91	-	



⚠ MATERIAL: POLYESTER; COLOR-GRAY.



3.81 [.150]	535865-2
2.54 [.100]	535865-1
A	PART NO

DO NOT SCALE PRINT. UNLESS SPECIFIED DIMENSIONS IN mm (INCHES) TOLERANCES ON: 2 PLC DEC ± 3 PLC DEC ± 0.13 (.005) ANGLES ± -	DR 01/18/90 R.K. SEIFRIED/UTA CHK 01/18/90 R. SEIFRIED APPD 01/18/90 R. SEIFRIED APPD 01/18/90 R. SEIFRIED PRODUCT SPEC -	AMP AMP Incorporated Harrisburg, PA 17105-3608	
MATERIAL ⚠	FINISH -	NAME TBC PLUS, GUIDE PIN	
	APPLICATION SPEC -	SIZE B	CAGE CODE 00779
	WEIGHT -	DRAWING NO 535865	SHEET 1 OF 1
		SCALE 8:1	

METRIC

CUSTOMER DRAWING