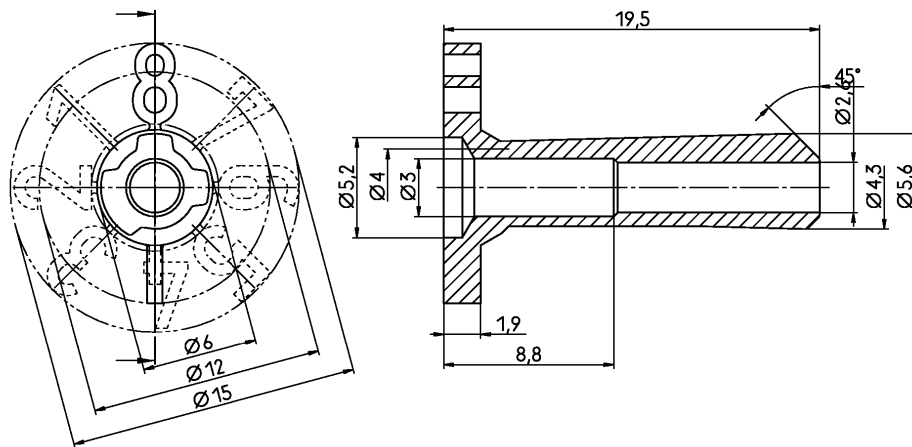


PROPRIETARY: THIS INFORMATION IS CONFIDENTIAL AND PROPRIETARY TO TYCO ELECTRONICS CORPORATION AND ITS WORLDWIDE SUBSIDIARIES AND AFFILIATES. IT MAY NOT BE DISCLOSED TO ANYONE OTHER THAN TYCO ELECTRONICS PERSONNEL, WITHOUT WRITTEN AUTHORIZATION FROM TYCO ELECTRONICS CORPORATION, HARRISBURG, PENNSYLVANIA, USA.



Active part numbers. Contact Tyco Electronics for other configuration availability

Old Part Number	Tyco Part Number
V23552-B9000-Z171	4-1393702-5 obsolete
V23552-B9000-Z172	4-1393702-6
V23552-B9000-Z271	6-1393702-0 obsolete
V23552-B9000-Z272	6-1393702-1
V23552-B9000-Z371	7-1393702-4 obsolete
V23552-B9000-Z372	7-1393702-5
V23552-B9000-Z471	8-1393702-7 obsolete
V23552-B9000-Z472	8-1393702-8
V23552-B9000-Z572	1393703-2
V23552-B9000-Z671	1-1393703-3 obsolete
V23552-B9000-Z672	1-1393703-4
V23552-B9000-Z771	2-1393703-4 obsolete
V23552-B9000-Z772	2-1393703-5
V23552-B9000-Z871	3-1393703-5 obsolete
V23552-B9000-Z872	3-1393703-6

Sachnummer	Verpackungseinheit (=Mindestbestellmenge)
-Z*71	pro 50 Stck./per 50 Pcs.
-Z*72	pro 500 Stck./per 500 Pcs.
Part-number	Packaging-unit (=Minimum order)

Codierungsübersicht siehe Einbauanleitung:
 Coding Survey see Mounting Instructions:
 V23552-A1000-Z***-*-7428

Angespritzte Ziffer	Sachnummer
1	-Z17*
2	-Z27*
3	-Z37*
4	-Z47*
5	-Z57*
6	-Z67*
7	-Z77*
8	-Z87*
On-moulded digit	Part-number

tyco TYCO ELECTRONICS CORPORATION		SCALE 5:1		WEIGHT	
ELECTRONICS OOSTKAMP - BELGIUM		DIMENSIONS IN MM		MATERIAL Farbe:weiß Colour:white	
DATE	05.05.95	PART NAME		Maßbild: Codierschlüssel	
NAME	Vanbesien	DEPARTMENT		Dimensional Drawing: Coding key	
DEP.	PD.COM	PART NO.		V23552-B9000-Z*7*-*-7427	
TOLERANCE UNLESS SPECIFIED OTHERWISE		REV.		SHT. 1.	
A1	OLU60-0156-00 20.12.00 DP	Customer Drawing Nr.: C 4-1393702-5		OF 1	
A	WO 007002 12.05.00 VS				
01	05.05.95 Vb				