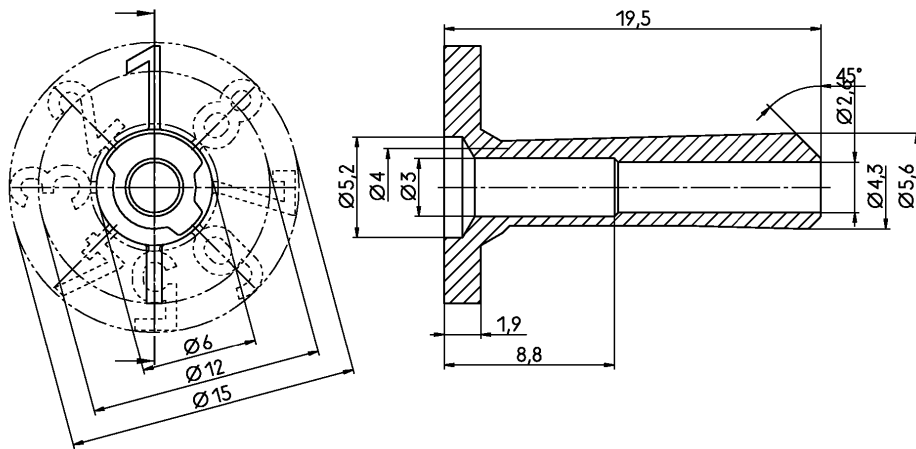


PROPRIETARY: THIS INFORMATION IS CONFIDENTIAL AND PROPRIETARY TO TYCO ELECTRONICS CORPORATION AND ITS WORLDWIDE SUBSIDIARIES AND AFFILIATES. IT MAY NOT BE DISCLOSED TO ANYONE OTHER THAN TYCO ELECTRONICS PERSONNEL WITHOUT WRITTEN AUTHORIZATION FROM TYCO ELECTRONICS CORPORATION, HARRISBURG PENNSYLVANIA, USA.



Active part numbers. Contact Tyco Electronics for other configuration availability

Old Part Number	Tyco Part Number
V23552-B9000-Z152	4-1393702-2
V23552-B9000-Z251	5-1393702-6 <b>obsolete</b>
V23552-B9000-Z252	5-1393702-7
V23552-B9000-Z351	7-1393702-1 <b>obsolete</b>
V23552-B9000-Z352	4-1393703-5
V23552-B9000-Z452	4-1393703-8
V23552-B9000-Z552	9-1393702-7
V23552-B9000-Z652	1-1393703-0
V23552-B9000-Z752	2-1393703-1
V23552-B9000-Z852	3-1393703-2

Sachnummer	Verpackungseinheit (=Mindestbestellmenge)
-Z*51	pro 50 Stck./per 50 Pcs.
-Z*52	pro 500 Stck./per 500 Pcs.
Part-number	Packaging-unit (=Minimum order)

Codierungsübersicht siehe Einbauanleitung:  
Coding Survey see Mounting Instructions:  
V23552-A1000-Z\*\*\*-\*-7428

Angespritzte Ziffer	Sachnummer
1	-Z15*
2	-Z25*
3	-Z35*
4	-Z45*
5	-Z55*
6	-Z65*
7	-Z75*
8	-Z85*
On-moulded digit	Part-number

<b>tyco</b> TYCO ELECTRONICS CORPORATION		SCALE 5:1		WEIGHT	
OOSTKAMP - BELGIUM		DIMENSIONS IN MM		MATERIAL Farbe:türkis Colour:turquoise	
DATE 05.05.95		PART NAME		SHT. 1.	
NAME Vanbesien		Maßbild:Codierschlüssel			
DEP. PD.COM		Dimensional Drawing: Coding key			
TOLERANCE UNLESS SPECIFIED OTHERWISE		PART NO.		V23552-B9000-Z*5*-*-7427	
REV. CHANGE ORDER		DATE		APP. Customer Drawing Nr.:C 4-1393702-2	
5		05.05.95		6	
				7	
				8	