

4

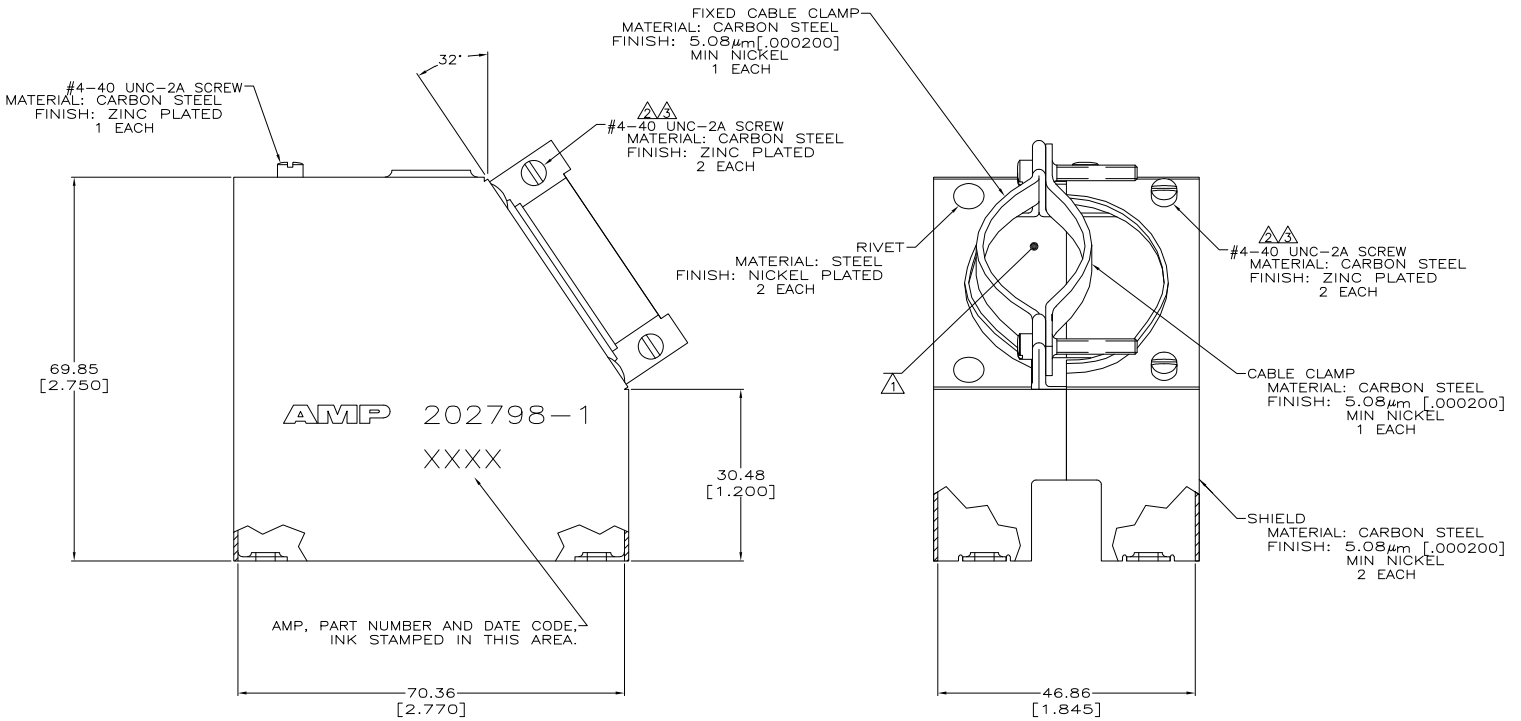
3

2

1

THIS DRAWING IS UNPUBLISHED. RELEASED FOR PUBLICATION
 © COPYRIGHT BY TYCO ELECTRONICS CORPORATION. ALL RIGHTS RESERVED.

LOC	DIST	REVISIONS		
F	LTR	DESCRIPTION	DATE	BY
E2		REVISED PER ECO-07-002943	2/13/07	SS GS



- △ ACCOMMODATES 20.32-30.48 [.800-1.200] DIAMETER CABLE.
- △ ZINC PLATING WITH HEXAVALENT CHROMATE COATING.
- △ ZINC PLATING WITHOUT HEXAVALENT CHROMATE COATING.

△	202798-2
△	202798-1
SCREW FINISH	PART NUMBER

THIS DRAWING IS A CONTROLLED DOCUMENT.		DRN: D. HARDY 07 SEP 95	Tyco Electronics Corporation Harrisburg, PA 17105-3608
		CHK: S. STONE 12 SEP 95	
		APP: G. STEINHAUER 05 OCT 95	SHIELD KIT, UNASSEMBLED, 160 POSITION, M SERIES
		PRODUCT SPEC: ---	
DIMENSIONS: mm		APPLICATION SPEC: ---	SIZE: A2
0 PLC ± .015 1 PLC ± .015 2 PLC ± .015 3 PLC ± .015 4 PLC ± .015 ANGLES ± .015		WEIGHT: ---	CASE CODE: ---
MATERIAL: SEE CALLOUTS		FINISH: SEE CALLOUTS	DRAWING NO: C=202798
		CUSTOMER DRAWING	RESTRICTED TO: ---
			SCALE: 2:1 SHEET: 1 of 1 REV: E2

AMP 1471-9 REV 31MM0200

202798

A