

4

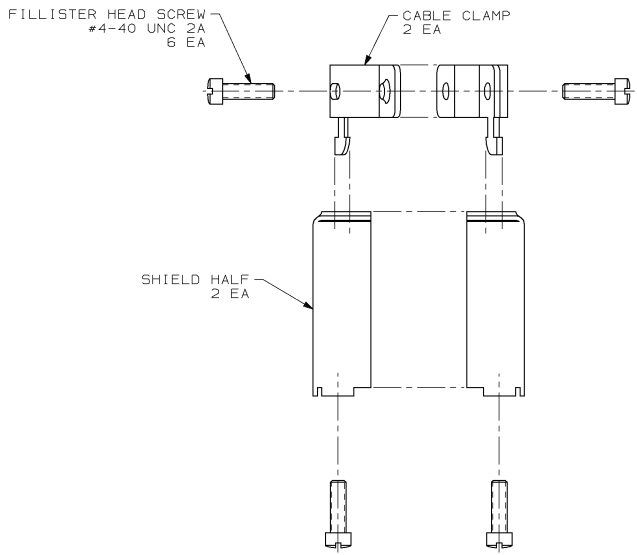
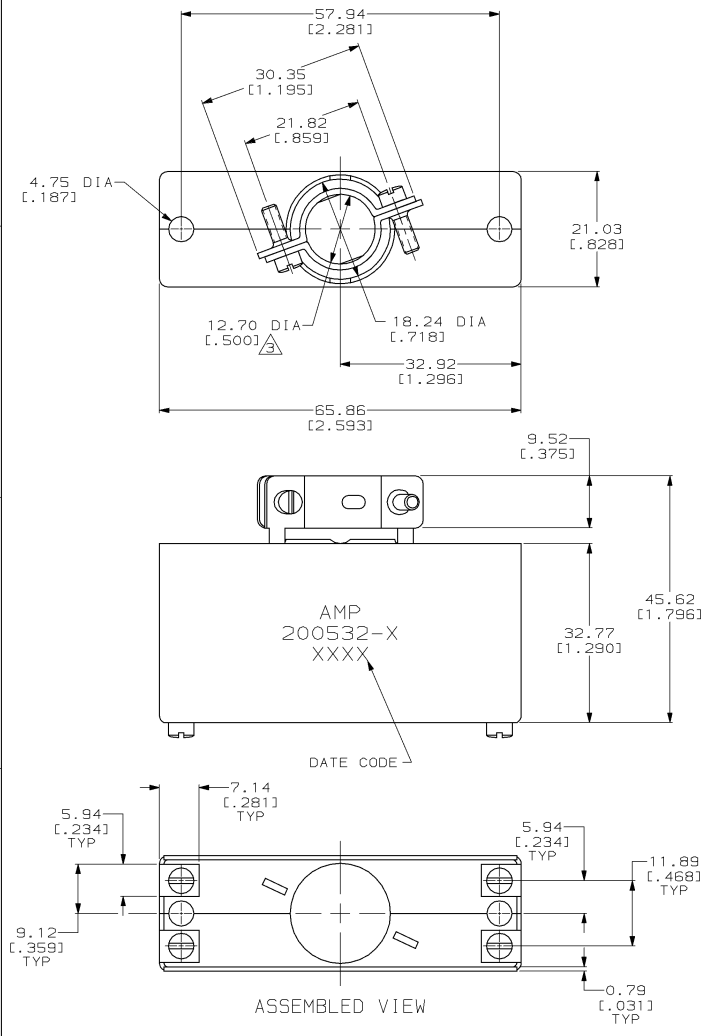
3

2

1

THIS DRAWING IS UNPUBLISHED. RELEASING FOR PUBLICATION
 BY AMP INCORPORATED. ALL RIGHTS RESERVED.

LOC	QTY	REV	DESCRIPTION	DATE	BY	APPD
BD	36	Y	REDRAWN PER EC 0020-929-95	25 SEP 95	-	-



- ⚠ SHIELD HALF: SEE TABLE.
CABLE CLAMP & SCREWS: CARBON STEEL.
- ⚠ SHIELD HALF: SEE TABLE.
CABLE CLAMP: 5.08µm [0.000200] MIN NICKEL.
SCREWS: ZINC PLATED.
- ⚠ DIAMETER WILL ACCEPT 50 WIRES OF .065 MAX OD.

5.08µm [0.000200] MIN NICKEL	CARBON STEEL	200532-2
CLEAR ANODIZE	ALUMINUM	200532-1
SHIELD FINISH	SHIELD MATERIAL	PART NUMBER

DIMENSIONS mm (INCHES)		DIMENSIONS UNLESS OTHERWISE SPECIFIED		DWN C. BELESNYDER 25 SEP 95		AMP Incorporated Harrisburg, PA 17105-3608	
0 PLC ±.1 3 PLC ±.2 6 PLC ±.3 12 PLC ±.5 24 PLC ±1.0 48 PLC ±2.0 96 PLC ±4.0 ANGLES ±.5°		0.13 0.25 0.51 1.02 2.03 4.06 8.13		C. STONE S. STEINHAUER 03 OCT 95		AMP SHIELD KIT, UNASSEMBLED, 50 PLACE, M SERIES	
MATERIAL ⚠		FINISH ⚠		PRODUCT SPEC APPLICATION SPEC HEIGHT CUSTOMER DRAWING		SIZE A2 00779	
				DRAWING NO ©=200532		SCALE 2:1 SHEET 1 OF 1 REV Y	

200532

A