

4

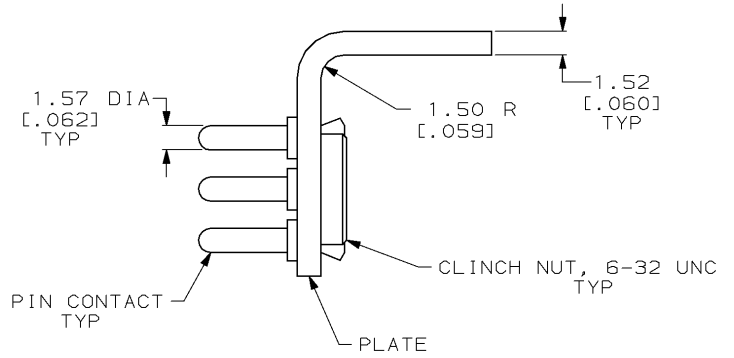
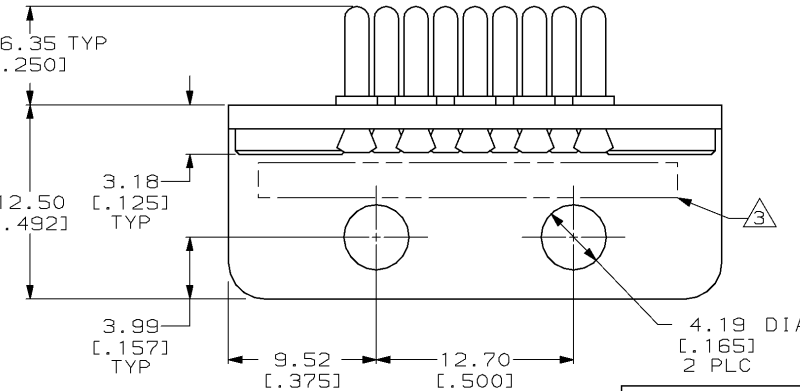
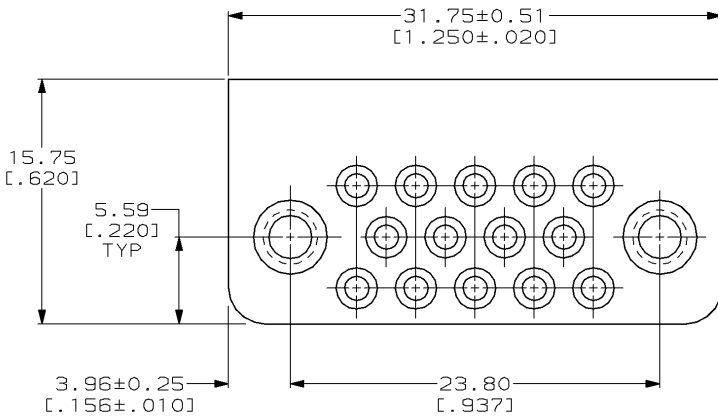
3

2

1

THIS DRAWING IS UNPUBLISHED. RELEASED FOR PUBLICATION  
 © COPYRIGHT 19 BY AMP INCORPORATED. ALL RIGHTS RESERVED.

Loc		DIST		REVISIONS				
P	LTR	DESCRIPTION	DATE	DWN	APVD			
B		REDRAWN W/O CHANGE PER EC 0020-292-96	06 AUG 96	-	-			



- ① PIN CONTACT: BRONZE  
PLATE: BRASS  
CLINCH NUT: STAINLESS STEEL
- ② PIN CONTACT: 0.76µm [.000030] MIN GOLD OVER  
1.27µm [.000050] MIN NICKEL.  
PLATE: 3.81µm [.000150] MIN TIN OVER  
1.27µm [.000050] MIN NICKEL.  
CLINCH NUT: PASSIVATED
- ③ AMP, PART NO & DATE CODE STAMPED IN THIS AREA ON OPPOSITE SIDE.

203540-1

PART NUMBER

THIS DRAWING IS A CONTROLLED DOCUMENT.		DWN B. CARBO 06 AUG 96	<b>AMP</b> AMP Incorporated Harrisburg, PA 17105-3608
		CHK R. STONE 08 AUG 96	
DIMENSIONS: mm [INCHES]		APVD G. STEINHAUER 22 AUG 96	NAME GROUNDING CONNECTOR ASSEMBLY, 14 POSITION, M SERIES
TOLERANCES UNLESS OTHERWISE SPECIFIED: 0 PLC ±- 1 PLC ±- 2 PLC ±0.25 (.010) 3 PLC ±- 4 PLC ±- ANGLES ±-		PRODUCT SPEC - APPLICATION SPEC -	SIZE A3
MATERIAL ①	FINISH ②	WEIGHT -	CAGE CODE 00779
		CUSTOMER DRAWING	DRAWING NO C-203540
		SCALE 4:1	SHEET 1 OF 1
			REV B

AMP 1470-19 REV 23FEB95

06-AUG-96 09:15:34 amp40873 /home/ssrv026d/dsk01/dep14023/amp40973/edmod