

4

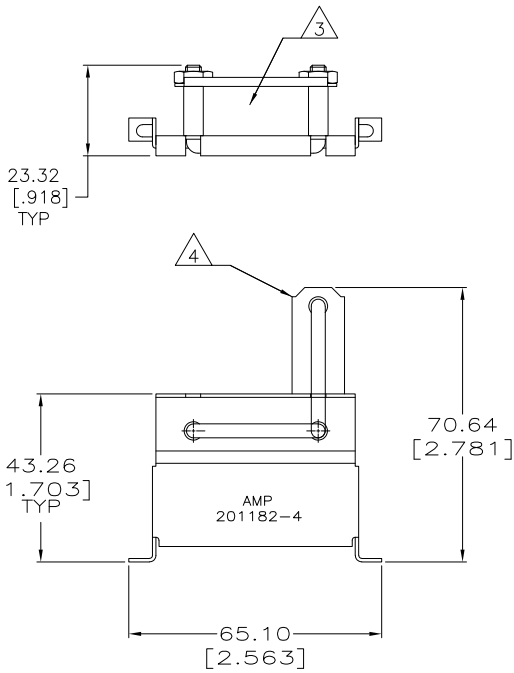
3

2

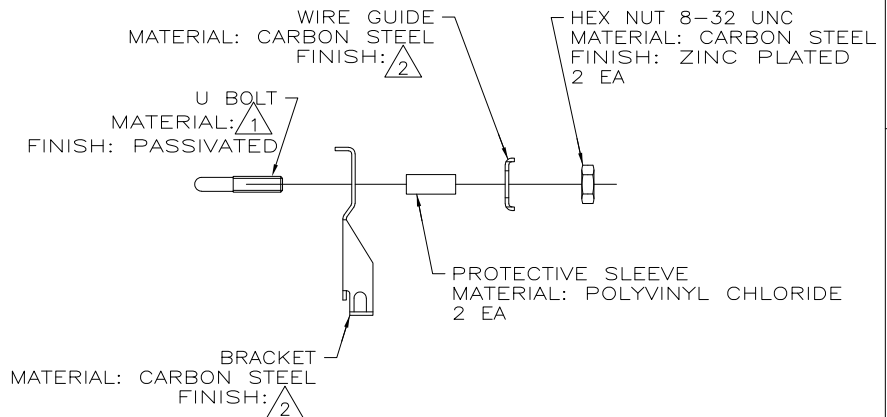
1

THIS DRAWING IS UNPUBLISHED. RELEASED FOR PUBLICATION
 © COPYRIGHT - BY TYCO ELECTRONICS CORPORATION. ALL INTERNATIONAL RIGHTS RESERVED.

LOC	DIST	REVISIONS				
P	LTR	DESCRIPTION	DATE	DWN	APVD	
FT	0	N	REVISED PER ECO-10-021995	12JAN11	HMR	MG



ASSEMBLED VIEW



- 1 STAINLESS STEEL.
- 2 5.08um [.000200] MIN NICKEL.
- 3 384.52 SQ mm [.596 SQ IN] MAX CABLE AREA.
- 4 ALTERNATE POSITION OF CLAMP FOR 90° CABLE OUTLET.

SUPERSEDED BY 201182-4	201182-4
	201182-1
PART NUMBER	

THIS DRAWING IS A CONTROLLED DOCUMENT.		DWN	C. REIFSNYDER	17 APR 96	Tyco Electronics Corporation Harrisburg, PA 17105-3608	
DIMENSIONS: mm [INCHES]		CHK	R. STONE	24 MAY 96		
TOLERANCES UNLESS OTHERWISE SPECIFIED: 0 PLC ± - 1 PLC ± - 2 PLC ± 0.38 [.015] 3 PLC ± - 4 PLC ± - ANGLES ± -		APVD	G. STEINHAUER	21 JUN 96	NAME	
MATERIAL SEE CALLOUTS		PRODUCT SPEC		CLAMP KIT, UNASSEMBLED, STRAIN RELIEF, 50 PLACE, M SERIES		
FINISH SEE CALLOUTS		APPLICATION SPEC		RESTRICTED TO		
		WEIGHT	A3 00779 C-201182		SIZE CAGE CODE DRAWING NO	
		CUSTOMER DRAWING		SCALE	2:1	SHEET 1 OF 1
				REV	N	