

4

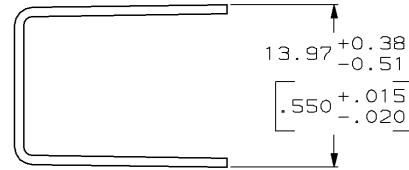
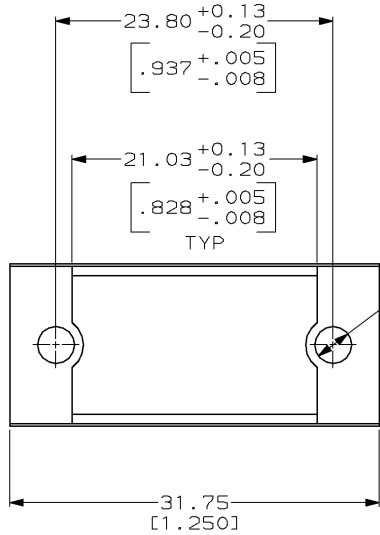
3

2

1

THIS DRAWING IS UNPUBLISHED. RELEASED FOR PUBLICATION
 © COPYRIGHT 19 BY AMP INCORPORATED. ALL RIGHTS RESERVED.

LOC		DIST		REVISIONS				
P	LTR	DESCRIPTION			DATE	DWN	APVD	
G		REDRAWN W/O CHANGE PER EC 0020-1347-95			15 APR 96	-	-	



- 1 ALUMINUM ALLOY.
- 2 CARBON STEEL.
- 3 CLEAR IRIDIUM.
- 4 5.08µm [0.000200] MIN NICKEL.

4	2	201363-4
3	1	201363-2
FINISH	MATERIAL	PART NUMBER

THIS DRAWING IS A CONTROLLED DOCUMENT.		DWN C. REIFSNYDER 15 APR 96	AMP Incorporated Harrisburg, PA 17105-3608	
DIMENSIONS: mm [INCHES]		CHK R. STONE 23 MAY 96	NAME G. STEINHAUER 21 JUN 96	
TOLERANCES UNLESS OTHERWISE SPECIFIED:		APVD G. STEINHAUER 21 JUN 96	PRODUCT SPEC	
0 PLC	±-	APPLICATION SPEC		
1 PLC	±-	WEIGHT		
2 PLC	±0.38 [0.015]	SIZE A3		
3 PLC	±-	CAGE CODE 00779		
4 PLC	±-	DRAWING NO 201363		
ANGLES	±-	CUSTOMER DRAWING		
MATERIAL	SEE TABLE	SCALE 3:1		
FINISH	SEE TABLE	SHEET 1 OF 1		
		REV 6		

AMP 1470-19 REV 23FE895

15-APR-96 13:00:43 amp38585 /home/ssrv0264/dsk01/dep14023/amp38585/edmod