

4

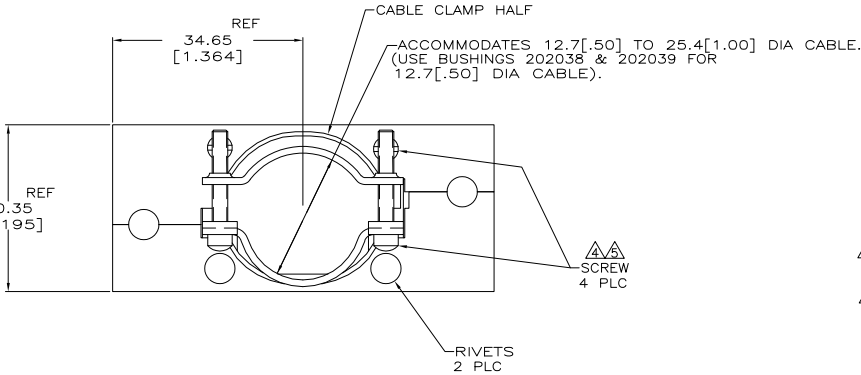
3

2

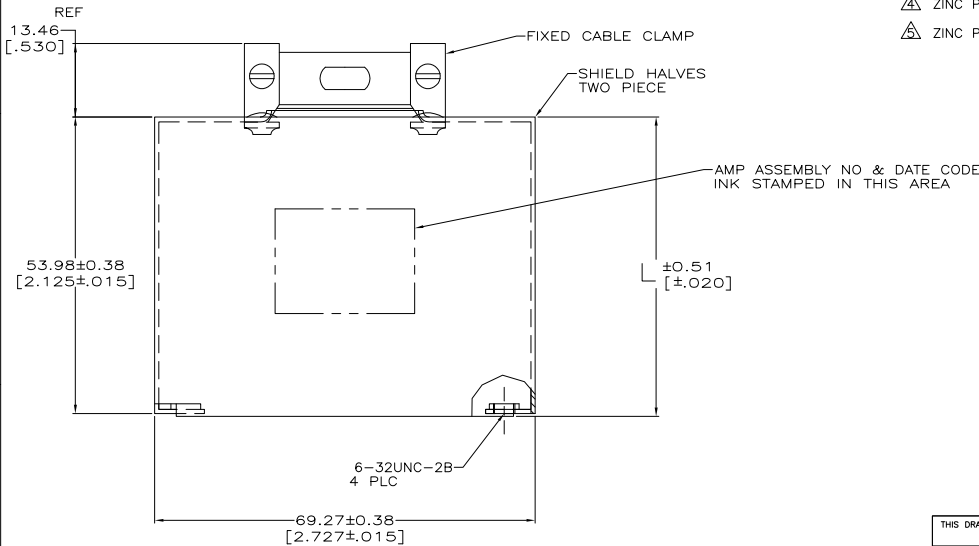
1

THIS DRAWING IS UNPUBLISHED. RELEASED FOR PUBLICATION  
 © COPYRIGHT BY TYCO ELECTRONICS CORPORATION. ALL RIGHTS RESERVED.

LOC	DIST	REVISIONS			
F	LTR	DESCRIPTION	DATE	OWN	APPD
J1		REVISED PER ECO-07-000274	1/5/07	SS	GS



- △ SHIELD HALF, TWO PIECE, CABLE CLAMP HALF, RIVET AND SCREW: CARBON STEEL. CABLE CLAMP FIXED: STAINLESS STEEL.
- △ SHIELD HALF, TWO PIECE AND CABLE CLAMP HALF: 5.08um [.000200] MIN NICKEL. SCREW: 3.81um [.000150] MIN ZINC. RIVET: NICKEL.
- 3. TWO PVC SLEEVES FOR INSULATION OF JACKSCREWS TO BE PACKAGED WITH ASSEMBLY.
- △ ZINC PLATING WITH HEXAVALENT CHROMATE COATING.
- △ ZINC PLATING WITHOUT HEXAVALENT CHROMATE COATING.



△	71.04 [2.797]	202713-7
△	53.98 [2.125]	202713-6
OBSOLETE	-	202713-5
OBSOLETE	-	202713-4
OBSOLETE	-	202713-3
△	71.04 [2.797]	202713-2
△	53.98 [2.125]	202713-1
SCREW FINISH	L	PART NUMBER

THIS DRAWING IS A CONTROLLED DOCUMENT.		DATE: 05/28/95	Tyco Electronics Corporation	
DRAWN: C. OBERMAN		6-1-95	Harrisburg, PA 17105-3608	
CHECKED: S. STONE		6-5-95	Tyco Electronics	
DESIGNED: G. STEINHÄLER		NAME:	TWO PIECE SHIELD ASSEMBLY, 75 POSITION, M SERIES	
DIMENSIONS: mm		APPLICATION SPEC:	SIZE: A2	CAGE CODE: 00779
MATERIAL: - △		FINISH: - △	DRAWING NO: C=202713	RESTRICTED TO: -
CUSTOMER DRAWING		SCALE: 2:1	SHEET: 1 of 1	REV: J1

AMP 1471-9 REV 31MM2000

202713

A