

4

3

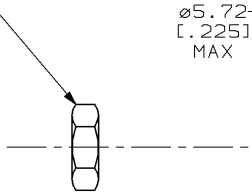
2

1

THIS DRAWING IS UNPUBLISHED. RELEASED FOR PUBLICATION
 BY AMP INCORPORATED. ALL RIGHTS RESERVED.

LOC	DIST	REVISIONS			
P	LTR	DESCRIPTION	DATE	DWN	APVD
	E	REDRAWN ON CAD W/O CHANGE	16 FEB 96	BC	GS
		PER EC 0020-1343-95			

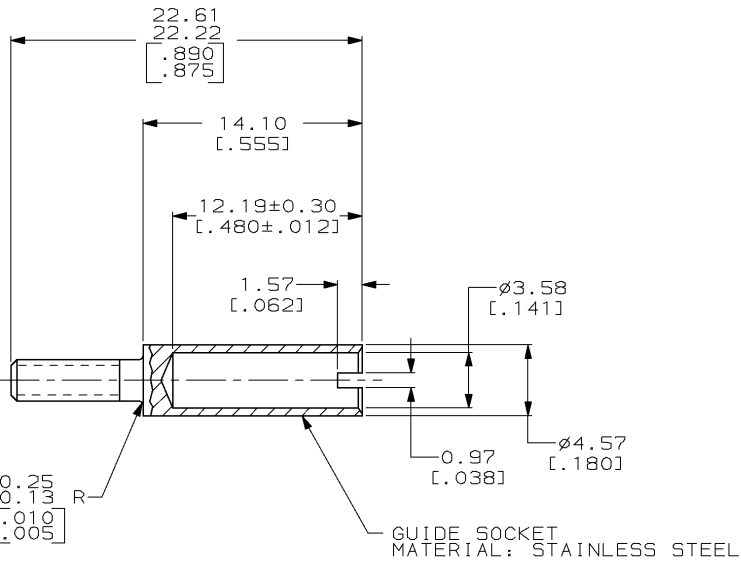
NUT
 #4-40 UNC-2B x 4.75 [.187]
 ACROSS FLATS
 MATERIAL: STAINLESS STEEL
 FINISH: PASSIVATED



5.72
 [.225]
 MAX

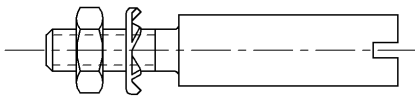
LOCKWASHER
 MATERIAL: STAINLESS STEEL
 FINISH: PASSIVATED

0.25
 0.13
 [.010]
 [.005]



207619-1

PART NUMBER



ASSEMBLED VIEW

THIS DRAWING IS A CONTROLLED DOCUMENT FOR AMP INCORPORATED. IT IS SUBJECT TO CHANGE AND THE CONTROLLING ENGINEERING ORGANIZATION SHOULD BE CONTACTED FOR THE LATEST REVISION.		DWN B. CARBO 16 FEB 96	AMP Incorporated Harrisburg, PA 17105-3608	
DIMENSIONS: mm [INCHES]		CHK R. STONE 20 FEB 96	NAME	
TOLERANCES UNLESS OTHERWISE SPECIFIED: 0 PLC ±- 1 PLC ±- 2 PLC ±0.13 [.005] 3 PLC ±- 4 PLC ±- ANGLES ±-		APVD G. STEINHAUER 17 APR 96	GUIDE SOCKET KIT, CENTER, UNASSEMBLED, M SERIES	
MATERIAL SEE CALLOUTS	FINISH SEE CALLOUTS	PRODUCT SPEC - APPLICATION SPEC - WEIGHT -	SIZE A3	CAGE CODE 00779
		DRAWING NO C-207619	SCALE 4:1	SHEET 1 OF 1
		CUSTOMER DRAWING	REV E	

AMP 1470-19 REV 09MAY94

16-FEB-96 11:33:19 omp40973 /home/ssrv026/dsk01/dept4023/amp40973/edmod