

4

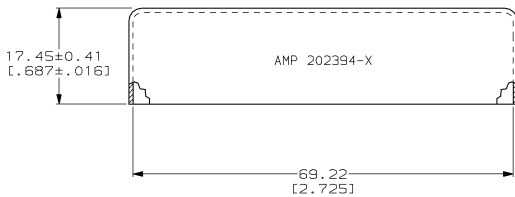
3

2

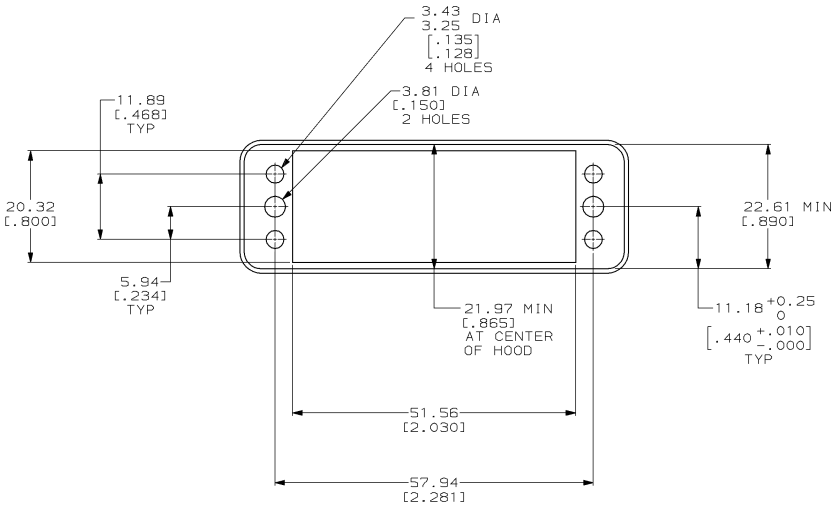
1

THIS DRAWING IS UNPUBLISHED. RELEASED FOR PUBLICATION BY AMP INCORPORATED. ALL RIGHTS RESERVED.

REV	DATE	DESCRIPTION	BY	CHKD	APP'D
J	19 SEP 95	REDRAWN PER EC 0020-930-95			
K	27 OCT 95	OBSOLETE -1 PER EC 0020-492-95			



- ⚠ 0.79 [.031] THICK ALUMINUM ALLOY.
- ⚠ 0.79 [.031] THICK CARBON STEEL.
- ⚠ CLEAR IRIDIUM.
- ⚠ 5.08μm [.000200] MIN NICKEL.



OBSOLETE	⚠ 4	⚠ 2	202394-2
	⚠ 3		202394-1
	FINISH	MATERIAL	PART NUMBER

<small>THIS DRAWING IS UNPUBLISHED. RELEASED FOR PUBLICATION BY AMP INCORPORATED. ALL RIGHTS RESERVED.</small>		DATE: 19 SEP 95 BY: C. OSBORN CHECKED: 26 SEP 95 APPROVED: R. STONE DATE: 04 OCT 95 NAME: R. STEINHAUER	<b>AMP</b> AMP Incorporated Harrisburg, PA 17105-3608
DIMENSIONS: mm (INCHES) DIMENSIONS UNLESS OTHERWISE SPECIFIED: 0 P.L.C. ±.01 1 P.L.C. ±.02 2 P.L.C. ±.03 3 P.L.C. ±.04 4 P.L.C. ±.05 5 P.L.C. ±.06 6 P.L.C. ±.07 7 P.L.C. ±.08 8 P.L.C. ±.09 9 P.L.C. ±.10 10 P.L.C. ±.12 15 P.L.C. ±.15 20 P.L.C. ±.20 30 P.L.C. ±.30 40 P.L.C. ±.40 50 P.L.C. ±.50 60 P.L.C. ±.60 70 P.L.C. ±.70 80 P.L.C. ±.80 90 P.L.C. ±.90 100 P.L.C. ±1.00	APPLICATION SPEC: - WEIGHT: - FINISH: -	SIZE: A2 CASE CODE: 00779 DRAWING TO: C-202394	SCALE: 2:1 SHEET: 1 OF 1 REV: K
MATERIAL: SEE TABLE	FINISH: SEE TABLE	CUSTOMER DRAWING	

AMP 1471-B REV 10/93

14:46:19 amp02202/home/ssr/v026/dsk01/dept4023/amp02202/edmod

202394

B

A