

4

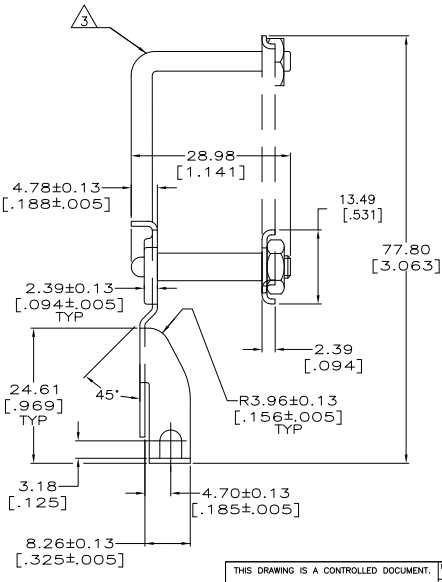
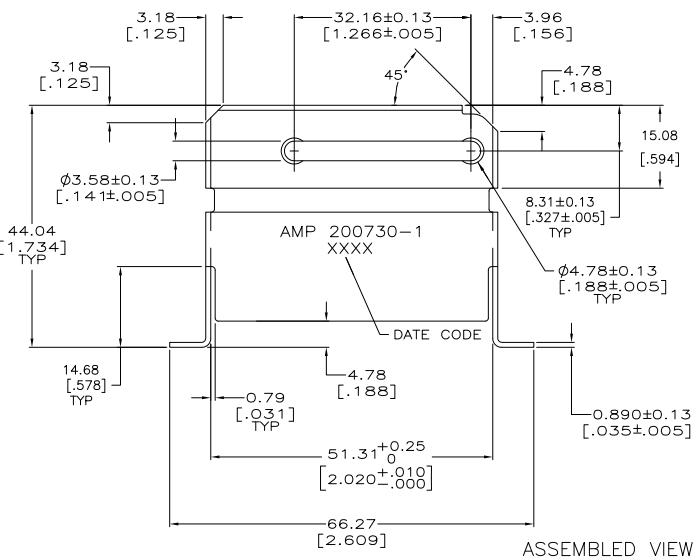
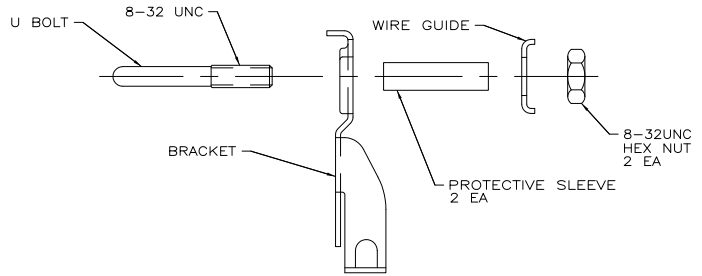
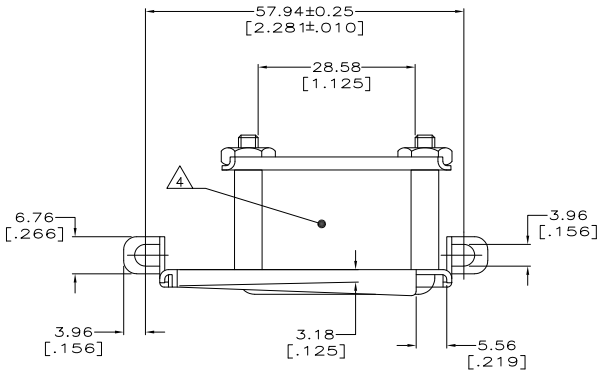
3

2

1

THIS DRAWING IS UNPUBLISHED. RELEASED FOR PUBLICATION BY TYCO ELECTRONICS CORPORATION. ALL INTERNATIONAL RIGHTS RESERVED.

LOC	DIST	REVISIONS		DATE	BY	APP'D
FT	0	F	LWR			
		M		REVISED PER ECO-10-021995	12JAN11	HMR MG



- BRACKET, HEX NUT & WIRE GUIDE: CARBON STEEL  
U BOLT: STAINLESS STEEL  
PROTECTIVE SLEEVE: POLYVINYL CHLORIDE.
  - BRACKET & WIRE GUIDE: 5.08um[.000200]  
MIN NICKEL.  
HEX NUT: ZINC PLATED.  
U BOLT: PASSIVATED.
- △3 ALTERNATE POSITION OF U BOLT FOR 90° CABLE OUTLET.
- △4 513.55 SQ mm[.796 SQ IN] MAX CABLE CLAMP AREA.

	200730-4	200730-1
SUPERSEDED BY 200730-4	PART NUMBER	

THIS DRAWING IS A CONTROLLED DOCUMENT.		DRW: M. BINNER 5 AUG 98	Tyco Electronics Corporation Harrisburg, PA 17105-3608	
DIMENSIONS: mm [INCHES]		CHK: R. STONE 13 AUG 98	AMP: G. STEINHAUER 21 JAN 97	
TOLERANCES UNLESS OTHERWISE SPECIFIED:		APPLICATION SPEC: 114-10015		
0 PLG	± .01	SIZE: A2		
1 PLG	± .02	CAGE CODE: 00779		
2 PLG	± .041 (014)	DRAWING NO: 200730		
3 PLG	± .076 (019)	RESTRICTED TO: -		
4 PLG	± .127 (025)	CUSTOMER DRAWING		
ANGLES	± .5	SCALE: 2:1		
FINISH	-	SHEET: 1 of 1		
		REV: M		

1471-9 (1/08)

200730

A