

4

3

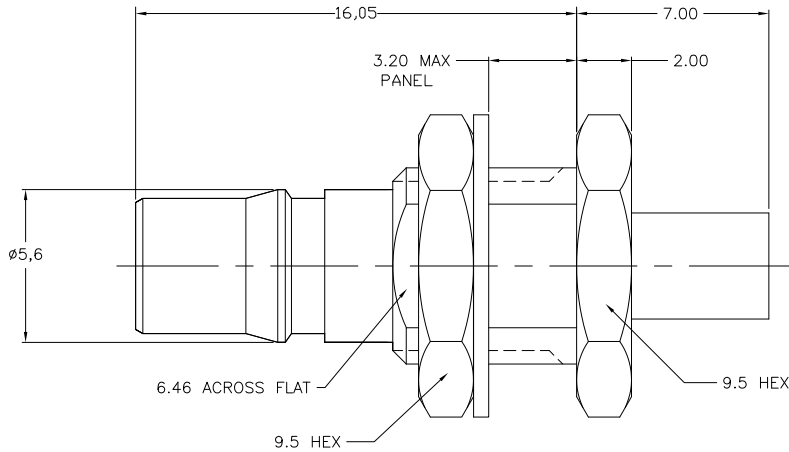
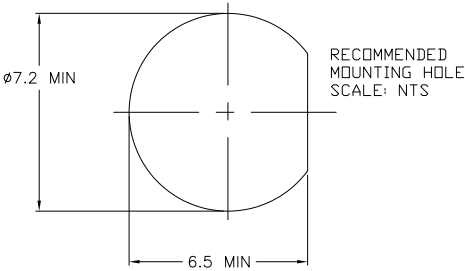
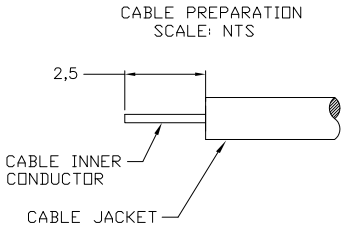
2

1

THIS DRAWING IS UNPUBLISHED. RELEASED FOR PUBLICATION
 © COPYRIGHT BY TYCO ELECTRONICS CORPORATION. ALL RIGHTS RESERVED.

LOC	DIST	REVISIONS			
F	LWR	DESCRIPTION	DATE	OWN	APPD
HC	00				
	A	REV PER ECO 09-011512	5/27/2009	DW	JO

- NOTES:
- DESIGNED FOR USE WITH .141 SEMI-RIGID (RG402/U) AND CONFORMABLE CABLES WITH SIMILAR DIAMETERS
 - ASSEMBLE TO CABLE USING IS 408-8905



COMPONENT	MATERIAL	FINISH
CENTER CONTACT	BERYLLIUM COPPER	GOLD
HOUSING NUT	BRASS	GOLD
WASHER	BRONZE	GOLD
DIELECTRIC	PTFE	N/A

8-1403077-1	5-1403080-9	1408411-8	1408461-1	1408349-1
MTG NUT	WASHER	CONTACT	HSG ASSY	PART NO.
THIS DRAWING IS A CONTROLLED DOCUMENT. DW 11Nov2002				
DIMENSIONS: MM		TYCO ELECTRONICS CORPORATION	Tyco Electronics Corporation Norwood, MA 02062	
TOLERANCES UNLESS OTHERWISE SPECIFIED:		APPC Docum 3/5/04	QMA STRAIGHT CABLE JACK DIRECT SOLDER ATTACHMENT	
0. PLG ± .01		PRODUCT SPEC 108-2087	RESTRICTED TO	
1. PLG ± .01		APPLICATION SPEC	SIZE A2	QAGE CODE C=1408349
2. PLG ± .020		WEIGHT	SCALE 10:1	SHEET 1 OF 1
3. PLG ± .01		CUSTOMER DRAWING	REV A	
4. PLG ± .01				
ANGLES ± 1				
FINISH				

AMP 1471-9 REV 31MM2000

1408349