

4

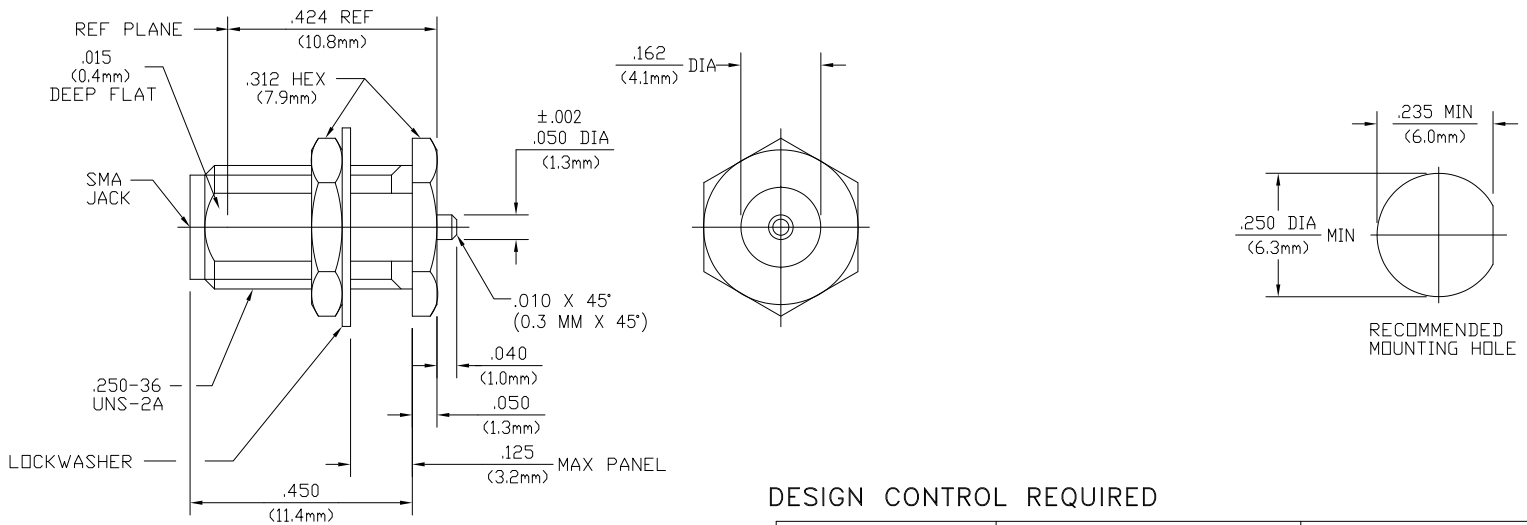
3

2

1

THIS DRAWING IS UNPUBLISHED. RELEASED FOR PUBLICATION  
 © COPYRIGHT BY TYCO ELECTRONICS CORPORATION. ALL RIGHTS RESERVED.

LOC		DIBT		REVISIONS			
P	LTR	DESCRIPTION	DATE	MIN	APD		
AJ	00						
B		REV PER EDD 07-027471	1/25/2008	DW	JL		



**DESIGN CONTROL REQUIRED**

ELECTRICAL	MECHANICAL	ENVIRONMENTAL
Nominal Impedance (Ohms) 50	Interface Dimensions MIL-STD-348, Fig. 310.2	TEMPERATURE RATING -65°C TO +125°C
Frequency Range (GHz) DC to 18	Recommended Mating Torque N/A	Vibration MIL-STD-202, Method 204, Condition D
Volt Rating (VRMS MAX) @ Sea Level 335	Mating Characteristics: Insertion (MAX Lbs) 3.0	Shock MIL-STD-202, Method 213, Condition I
VSWR 1.07+0.10F(GHz)	Withdrawal (MIN Oz) 1.0	Thermal Shock MIL-STD-202, Method 107, Condition B
Insertion Loss (dB MAX) .04 √F(GHz)	Force to Engage and Disengage (In/Lbs MAX) 2.0	Moisture Resistance MIL-STD-202, Method 106, Except Vibration
RF Leakage (dB MIN) -[90-F(GHz)]	Center Contact Captivation Axial (Lbs) 6.0	Resistance Shall Be 200 Megohms
Corona, 70,000 Ft (VRMS MIN) 250	Radial (In/Oz) N/A	Minimum Within 5 Minutes Of Removal From Humidity
Dielectric Withstanding Voltage (VRMS MIN) @ Sea Level 1000	Cable Retention Axial Force (Lbs) N/A	Corrosion - MIL-STD-202, Method 101, Condition B, 5% salt spray
Contact Resistance (Milliohms MAX) Center Contact 2.0	Torque (In/Oz) N/A	
Outer Contact 2.0	Weight (Grams) TBD	
Cable to Housing N/A		
RF High Potential @ Sea Level (VRMS MIN @ 5 MHz) 670		
I.R.(Megohms MIN) 5000		

COMPONENT	MATERIAL	FINISH
HOUSING MOUNTING NUT	STAINLESS STEEL PER ASTM-A484 AND ASTM-A582, TYPE 303	GOLD PLATE PER MIL-G-45204
DIELECTRIC	TFE FLUOROCARBON PER ASTM-D-1457	N/A
CENTER CONTACT	BERYLLIUM COPPER PER ASTM-B196, ALLOY 173	GOLD PLATE PER MIL-G-45204
LOCKWASHER	PHOSPHOR BRONZE PER QQ-B-750, GRADE B2 OR TIN BRASS PER ASTM-B-591	GOLD PLATE PER MIL-G-45204

THIS DRAWING IS A CONTROLLED DOCUMENT.		DATE: 2/23/95	Tyco Electronics Corporation Harrisburg, PA 17105-3608	
DIMENSIONS: INCHES	APPROVED: [Signature]	DATE: 2/23/95	NAME: [Name]	
0 PLC ± .005	1 PLC ± .005	2 PLC ± .005	3 PLC ± .005	4 PLC ± .005
ANGLES ± .1°	APPLICATION SPEC: [Spec]			
MATERIAL: [Material]	FINISH: [Finish]	HEIGHT: [Height]	SIZE: A2	CAGE CODE: 00779
CUSTOMER DRAWING		SCALE: 1:1	SHEET: 1 of 1	REV: B

AMP 1471-9 REV 31MM2000

1046297-1

A