

4

3

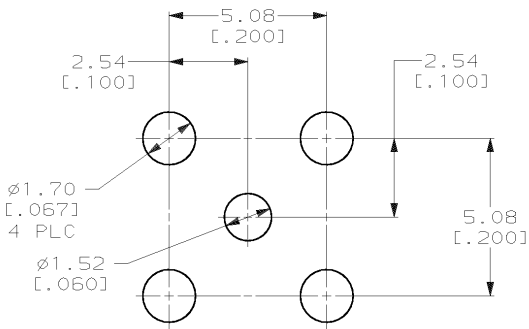
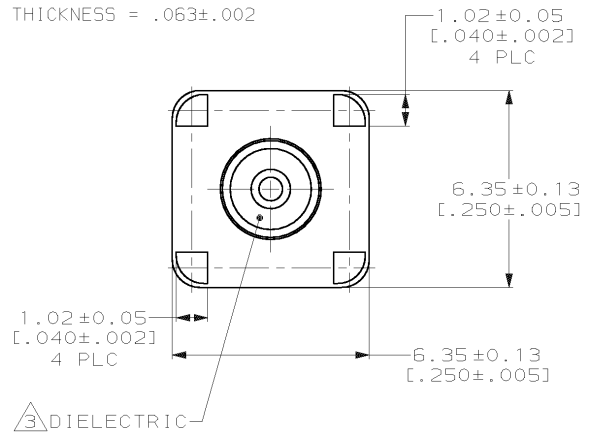
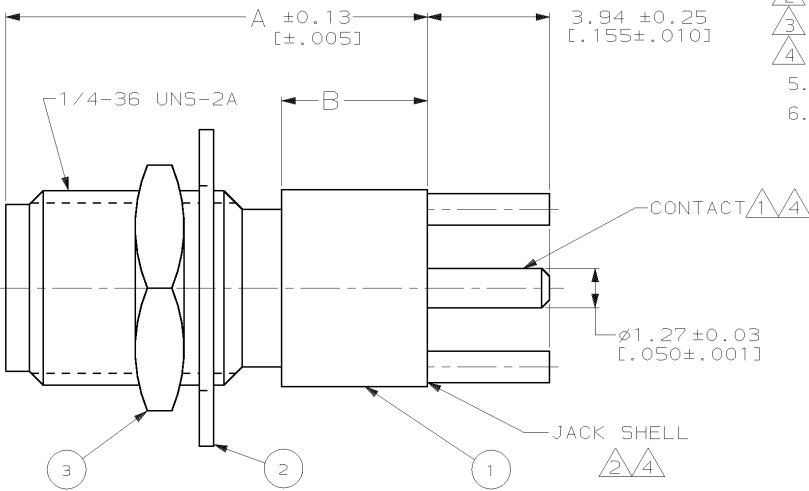
2

1

THIS DRAWING IS UNPUBLISHED. RELEASED FOR PUBLICATION .19 . . .
 © COPYRIGHT 19 BY AMP INCORPORATED. ALL RIGHTS RESERVED.

LOC		DIST		REVISIONS			
P	LTR	DESCRIPTION		DATE	DWN	APVD	
	B	REL -2 PER OE10-0187-99		18MAY99	MO	BM	

- 1 BERYLLIUM COPPER PER ASTM-B-197.
- 2 BRASS PER ASTM-B-16.
- 3 TEFLON, PTFE, PER ASTM-D-1710.
- 4 GOLD PLATE PER MIL-G-45204.
- 5. PANEL MOUNTING HOLE = .256±.002 DIA.
- 6. PANEL THICKNESS = .063±.002



RECOMMENDED PCB CONFIGURATION

5.71 [.225]	15.87 [.625]	2-332004-0	1-22145-3	1274102-2	1274061-2
4.70 [.185]	13.84 [.545]	2-332004-0	1-22145-3	1274102-1	1274061-1
B	A	3 JAMNUT QTY=1	2 LOCKWASHER QTY=1	1 JACK SUB-ASSY QTY=1	PART NUMBER

DIMENSIONS:		TOLERANCES UNLESS OTHERWISE SPECIFIED:		AMP	
IN		0 PLC ±-	±-	AMP Incorporated Harrisburg, PA 17105-3608	
		1 PLC ±-	±-	JACK, VERTICAL PCB, SMA SERIES	
		2 PLC ±0.08 (1.003)	±-	SIZE	CAGE CODE
		3 PLC ±-	±-	A3	00779
		4 PLC ±-	±-	DRAWINGS NO	
		ANGLES ±-	±-	C-1274061	
MATERIAL	FINISH			SCALE	SHEET
-	-			8:1	1 OF 1

CUSTOMER DRAWING SCALE 8:1 SHEET 1 OF 1 REV B

AMP 1470-19 REV 23FEB95

19-MAY-99 07:09:49 amp05572 /home/amp05572/edmod