

4

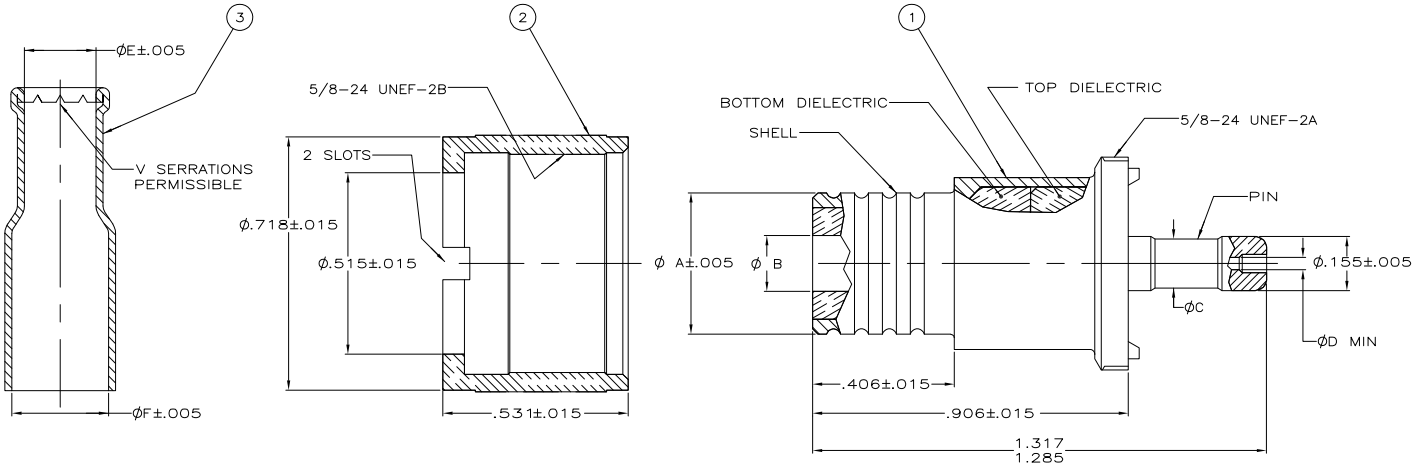
3

2

1

THIS DRAWING IS UNPUBLISHED. RELEASED FOR PUBLICATION
 © COPYRIGHT BY TYCO ELECTRONICS CORPORATION. ALL RIGHTS RESERVED.

LOC	DIST	REVISIONS			
P	LTR	DESCRIPTION	DATE	MIN	APD
AJ	16	REV PER EDD 06-002539	06APR06	GB	JH



.705 OZ	.875	.277	.205	.057	.141	.130	.233	RG-58/U	9-330915-1	9-330914-0	9-330913-1	2-5330830-4
-	.875	.448	.425	.088	-	.295	.405	RG-8, RG-8A, RG-213/U	9-330915-0	9-330914-0	9-330913-0	5330830
WEIGHT	G	F	E	D	C	B	A	CABLE SIZE	FERRULE QTY=1	COLLAR QTY=1	PLUG ASSY QTY=1	PART NUMBER

ITEM	MATERIAL AND FINISH
1	COPPER PER QQ-C-576 SILVER PL PER QQ-S-365 .0002 MIN. EXT THK.
2	BRASS PER ASTM B 16 SILVER PL PER QQ-S-365 .0002 MIN. EXT THK.
3	PIN: BRONZE PER ASTM-B-140 SILVER PL PER QQ-S-365 .0002 MIN. EXT THK. DIELECTRIC, TOP & BOTTOM: POLYPROPYLENE (GENERAL PURPOSE) SHELL: BRASS PER ASTM B 16 SILVER PL PER QQ-S-365 .0002 MIN. EXT THK.

THIS DRAWING IS A CONTROLLED DOCUMENT.

DIMENSIONS: INCHES 	OTHER FINISHES: 0 PL 1 PL 2 PL 3 PL 4 PL ANGLES FINISH	MIN: VABELA - 214P02005 DICKS OK: HAVENER 214P02005 APD: G. MICHAEL PRODUCT SPEC: APPLICATION SPEC: HEIGHT: SEE TABLE CUSTOMER DRAWING	 Tyco Electronics Corporation Harrisburg, PA 17105-3608 COAXICON CONNECTOR UHF PLUG SIZE: A2 CASE CODE: 00779 DRAWING NO: C=5330830 RESTRICTED TO: - SCALE: 2:1 SHEET: 1 of 1 REV: A
---------------------------	---	---	---

AMP 1471-9 REV 31MM2000

5330830