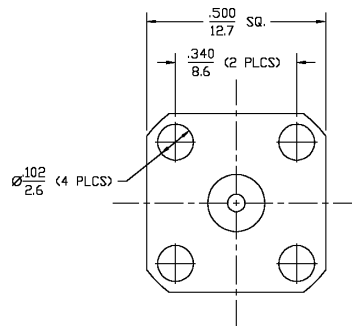
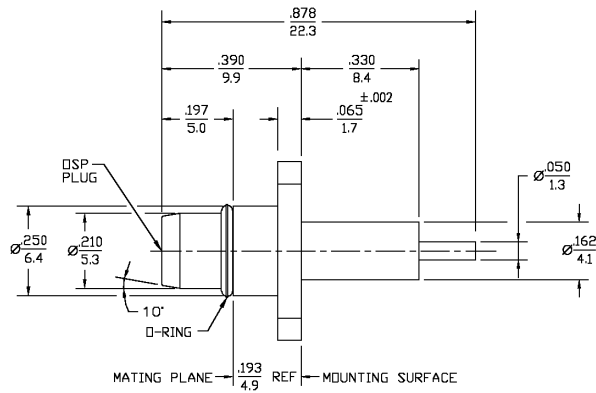


REVISIONS			
REV	DESCRIPTION	DATE	APPROVED
03 ₂	REVISED	7/18/97	<i>[Signature]</i>
C	REVISED PER ECN 0S14-0146-02	GV. 21MAY03	JGH



ELECTRICAL	MECHANICAL	ENVIRONMENTAL
Nominal Impedance (Ohms) 50	Interface Dimensions MIL-STD-348A FIG. 321-1	TEMPERATURE RATING -65° TO +125°C
Frequency Range (GHz) DC to 18	Force to Engage (In-Lbs MAX) 3 & Disengage (In-Lbs MAX) 1.5	Vibration MIL-STD-202, Method 204, Condition II
Volt Rating (VRMS MAX) @ Sea Level 500	Center Contact Captivation Axial (Lbs) 6.0	Shock MIL-STD-202, Method 213, Condition I
VSWR 1.05+0.05f(GHz) DC to 18 GHz	Weight (Grams) TBD	Thermal Shock MIL-STD-202, Method 107, Condition B
Insertion Loss (dB MAX) .03x√f(GHz)		Moisture Resistance MIL-STD-202, Method 106
RF Leakage (dB MIN) (Fully Mated) -(60-f(GHz))		Corrosion - MIL-STD-202, Method 101, Condition B
Corona, 70,000 Ft (VRMS MIN) 335		
Dielectric Withstanding Voltage (VRMS MIN) @ Sea Level 1000		
Contact Resistance (Milliohms MAX) Center Contact 2.0 Outer Contact 2.0		
RF High Potential @ Sea Level (VRMS MIN @ 5 MHz) 1000		
I.R.(Megohms MIN) 5000		

COMPONENT	MATERIAL	FINISH								
HOUSING	STAINLESS STEEL PER ASTM-A484 AND ASTM-A582, TYPE 303	PASSIVATE PER QQ-P-35								
DIELECTRIC	PTFE FLUOROCARBON PER ASTM-D-1457	N/A								
CENTER CONTACT	BRASS PER ASTM B 16	GOLD PLATE PER MIL-G-45204								
O-RING	FLOUROSilICONE PER MIL-R-25988, CLASS I, TYPE I.	N/A								
<table border="1"> <tr> <td>UNLESS OTHERWISE SPECIFIED DIMENSIONS ARE IN INCHES</td> <td>DATE 4/13/83</td> <td rowspan="3"> AMP AMP Incorporated 140 Fourth Avenue Waltham, MA 02451-7599 </td> </tr> <tr> <td>TOLERANCE IN</td> <td>2/7/84</td> </tr> <tr> <td>FRAC. DEC. ANGLES</td> <td>2/27/84</td> </tr> </table>			UNLESS OTHERWISE SPECIFIED DIMENSIONS ARE IN INCHES	DATE 4/13/83	AMP AMP Incorporated 140 Fourth Avenue Waltham, MA 02451-7599	TOLERANCE IN	2/7/84	FRAC. DEC. ANGLES	2/27/84	
UNLESS OTHERWISE SPECIFIED DIMENSIONS ARE IN INCHES	DATE 4/13/83	AMP AMP Incorporated 140 Fourth Avenue Waltham, MA 02451-7599								
TOLERANCE IN	2/7/84									
FRAC. DEC. ANGLES	2/27/84									
TITLE OSP 4 HOLE FLANGE MOUNT PLUG RECEPTACLE STRAIGHT TERMINAL										
NO. AP. N/A	USE ASSY PROCEDURE									
SCALE 4:1		<table border="1"> <tr> <td>SIZE B</td> <td>CODE IDENT NO. 26805</td> <td>4551-1201-02</td> <td>REV 03₂</td> </tr> <tr> <td colspan="3">SHEET 1 OF 1</td> <td></td> </tr> </table>	SIZE B	CODE IDENT NO. 26805	4551-1201-02	REV 03 ₂	SHEET 1 OF 1			
SIZE B	CODE IDENT NO. 26805	4551-1201-02	REV 03 ₂							
SHEET 1 OF 1										

.XXX = in
XX.X = mm (REF)

CUSTOMER DRAWING AMP PART # 1059563-1
SHEET 1 OF 1 REV C