

4

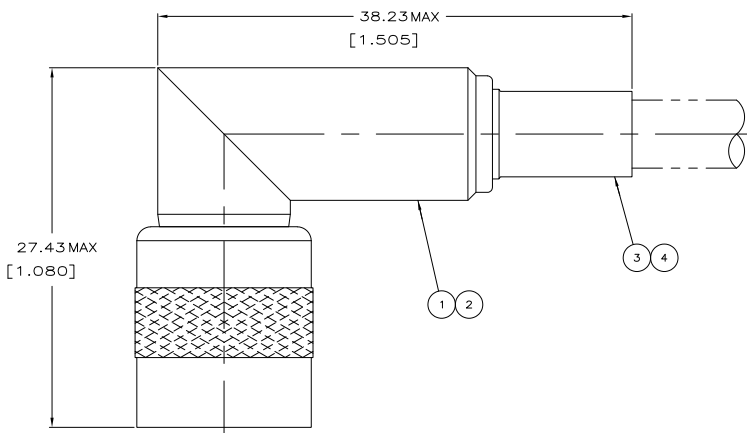
3

2

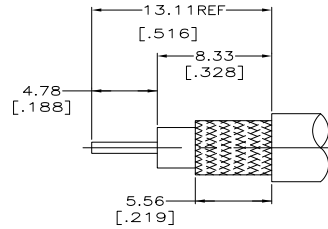
1

THIS DRAWING IS UNPUBLISHED. RELEASED FOR PUBLICATION
 © COPYRIGHT BY TYCO ELECTRONICS CORPORATION. ALL RIGHTS RESERVED.

LOC	DIST	REVISIONS					
		P	LR	DESCRIPTION	DATE	BY	APPD
AJ	16	0		REV PER EC-0514-0496-04	31JAN2005	GA	—
		01		REVISED PER ECO-09-024927	10NOV09	KK	AEG



- △ USE HAND TOOL: 354940-1
- 2. USE INSTRUCTION SHEET 408-4144
- △ OBSOLETE PARTS: OBSOLETE CIS STREAMLINING PER D.RENAUD/D.SINISI



RECOMMENDED STRIP LENGTH

△ OBSOLETE	55/U, 55A/U, 55B/U, 223/U	220189-1	-	9-329099-0	221149-6	414124-1	5414173-6
	RG-174/U, 174A/U, 188/U, 188A/U, 316/U	220210-1	227194-1	9-328666-0	2-221149-0	414124-3	— 5414173-3 —
	FOR USE WITH CABLE	DIE SET	△ 4 TUBING QTY=1	3 FERRULE QTY=1	2 CONTACT QTY=1	1 PLUG ASSEMBLY QTY=1	PART NUMBER

THIS DRAWING IS A CONTROLLED DOCUMENT.		DATE: 31JAN2005	BY: G. ATTADIA	DRUCKER: 31JAN2005	TYCO ELECTRONICS CORPORATION HARRISBURG, PA 17105-3608
DIMENSIONS: INCHES	OTHER DIMENSIONS: MILLIMETERS	APPROVED: 31JAN2005	NAME:	PRODUCT SPEC:	PLUG, RIGHT ANGLE, 50 OHM, COMMERCIAL TNC
0 PLG	0 PLG	APPLICATION SPEC:	SIZE:	CAGE CODE:	DRAWING NO:
1 PLG	1 PLG	WEIGHT:	A2	00779	C=5414173
2 PLG	2 PLG	FINISH:	CUSTOMER DRAWING	SCALE:	5:1
3 PLG	3 PLG			SHEET:	1 OF 1
4 PLG	4 PLG			REV:	01

AMP 1471-9 REV 31JAN2005

\\Gisela\folders\Jack_Hayener\sent\EC-0514-0496-04_stat2_group2_COMPLETED\124 A 133\5414173-c_1.dwg

5414173

A