

4

3

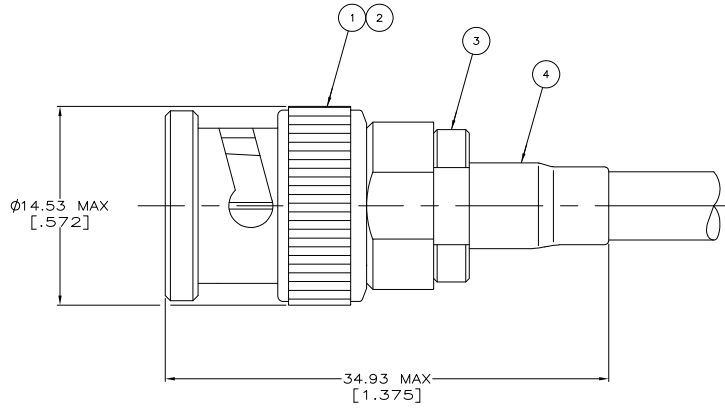
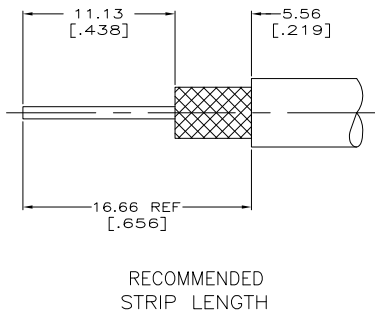
2

1

THIS DRAWING IS UNPUBLISHED. RELEASED FOR PUBLICATION
 © COPYRIGHT BY TYCO ELECTRONICS CORPORATION. ALL RIGHTS RESERVED.

LOC	DIST	REVISIONS			
F	LNK	DESCRIPTION	DATE	BY	APP'D
AJ	16	M1	REVISED PER ECO-05-009546	11OCT05	BM JL

- 1. CRIMP TOOL: 69140-1
- △ WEIGHT: .412 OZ
- 3. SEE I.S. 1799-1



SUPSD BY: 2-5329082-1	RG-58/U,58A/U,58B/U & 58C/U	328663	50780	2-329106-1	9-329327-0	9-329082-0
SUPSD BY: 2-329444-2	-	-	-	-	-	2-329082-2
	RG-58/U,58A/U,58B/U & 58C/U	328663	50780	2-329106-1	329327	2-329082-1
	CABLE SIZE	④ FERRULE QTY=1	③ CRIMP END ASSEMBLY QTY=1	② GASKET QTY=1	① PLUG ASSEMBLY QTY=1	PART NUMBER

THIS DRAWING IS A CONTROLLED DOCUMENT.

DIMENSIONS: INCHES 0 PLC ± - 1 PLC ± - 2 PLC ± .041 [.014] 3 PLC ± - 4 PLC ± - ANGLES ± - FINISH -	TOLERANCES UNLESS OTHERWISE SPECIFIED: 0 PLC ± - 1 PLC ± - 2 PLC ± .041 [.014] 3 PLC ± - 4 PLC ± - ANGLES ± - FINISH -	BY: S. SCOTT 08-28-91 CHK: J. LIPPERT 7-30-91 DATE: 08-28-91 NAME: J. LIPPERT PRODUCT SPEC: - APPLICATION SPEC: - WEIGHT: - CUSTOMER DRAWING	Tyco Electronics Tyco Electronics Corporation Harrisburg, PA 17105-3608 PLUG,SERIES BNC SIZE: A2 CAGE CODE: 00779 DRAWING NO: C-329082 RESTRICTED TO: - SCALE: 5:1 SHEET: 1 of 1 REV: M1
--	--	---	---