

4

3

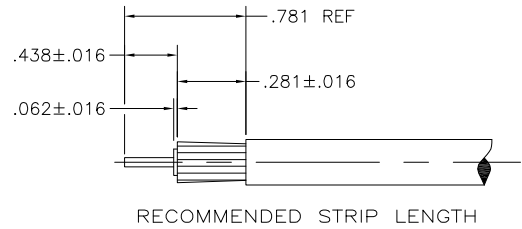
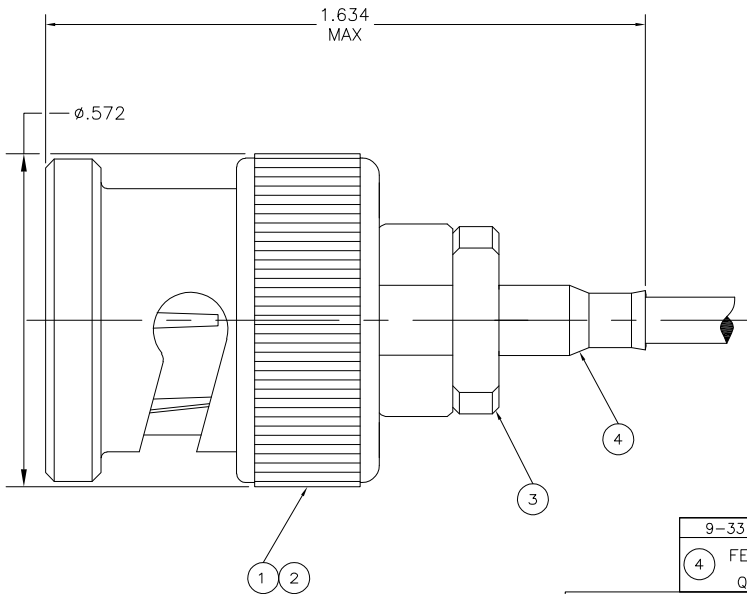
2

1

THIS DRAWING IS UNPUBLISHED. RELEASED FOR PUBLICATION  
 © COPYRIGHT - BY TYCO ELECTRONICS CORPORATION. ALL RIGHTS RESERVED.

LOC	DIST	REVISIONS				
P	LTR	DESCRIPTION	DATE	DWN	APVD	
AJ	16	REVISED PER EC S14-0173-05	25JULY05	BM	JL	

1. FOR USE WITH: BELDEN 8281, WE 724 & 3049 CABLES.
2. CRIMPING TOOL: 69652
3. SEE INSTRUCTION SHEET 408-1799-1.



9-331256-0	1-50780-7	2-329106-1	9-329327-1	5330878
④ FERRULE QTY=1	③ CRIMP END QTY=1	② GASKET QTY=1	① PLUG ASSEMBLY QTY=1	PART NUMBER

THIS DRAWING IS A CONTROLLED DOCUMENT.

DIMENSIONS: INCHES	TOLERANCES UNLESS OTHERWISE SPECIFIED:	DWN G. ATTADIA - DOCK5 31JAN2005	CHK J. HAVENER 31JAN2005	APVD J. LIPPERT 31JAN2005	NAME <b>tyco</b> <b>Electronics</b>	Tyco Electronics Corporation Harrisburg, Pa 17105-3608
0 PLC ± -	1 PLC ± -	PRODUCT SPEC	CONNECTOR, COAXIAL RF PLUG, SERIES BNC			
2 PLC ± -	3 PLC ± -	APPLICATION SPEC	SIZE	CAGE CODE	DRAWING NO	RESTRICTED TO
4 PLC ± -	ANGLES ± -	WEIGHT	A3	00779	5330878	-
MATERIAL	FINISH	CUSTOMER DRAWING	SCALE	NTS	SHEET	1 OF 1
						REV A