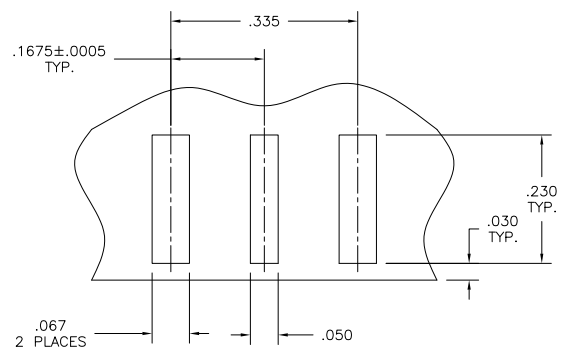
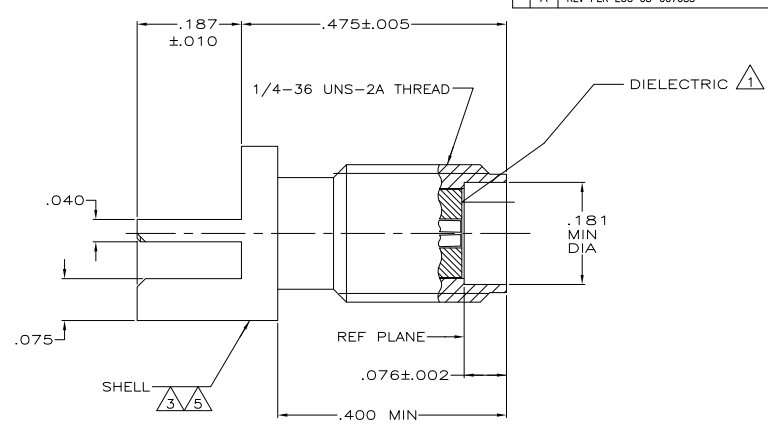
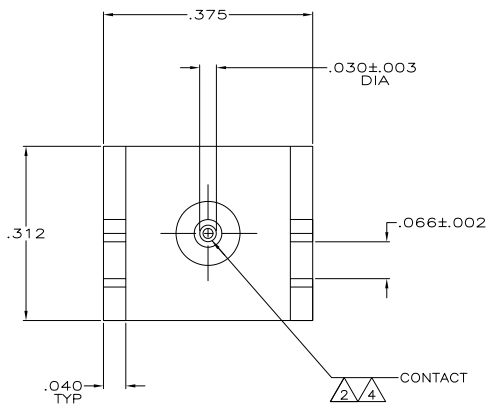


4 3 2 1

THIS DRAWING IS UNPUBLISHED. RELEASED FOR PUBLICATION
 © COPYRIGHT BY TYCO ELECTRONICS CORPORATION. ALL RIGHTS RESERVED.

LOC	DIST	REVISIONS			
P	LTR	DESCRIPTION	DATE	BY	APP'D
AJ	16	REV PER ECO 08-007085	25MAR2008	DW	BW



- 1 PTFE
- 2 BERYLLIUM COPPER
- 3 BRASS
- 4 GOLD PLATE
- 5 TIN PLATE

RECOMMENDED PCB LAYOUT FOR 62.5"(1 1/8") BOARD

5449692-1
 PART NUMBER

THIS DRAWING IS A CONTROLLED DOCUMENT.		DW: VABELA - 01FER2005 OK: DOCKES - 01FER2005 J: HAVENER - 01FER2005 D: CAMELIO - 01FER2005	Tyco Electronics Corporation Harrisburg, PA 17105-3608
DIMENSIONS: INCHES 0 PLG ± . - 1 PLG ± . - 2 PLG ± . - 3 PLG ± .005 4 PLG ± . - ANGLES ± . -	TOLERANCES UNLESS OTHERWISE SPECIFIED: 0 PLG ± . - 1 PLG ± . - 2 PLG ± . - 3 PLG ± .005 4 PLG ± . - ANGLES ± . -	NAME: ASSEMBLY, JACK LAUNCHER, SMA APPLICATION SPEC: - WEIGHT: - FINISH: A2	SIZE: A2 CASE CODE: 00779 DRAWING NO: C-5449692 RESTRICTED TO: - SCALE: 8:1 SHEET: 1 of 1 REV: A
MATERIAL: A3 A4 A5		CUSTOMER DRAWING	

AMP 1471-9 REV 31MM2000

5449692