

4

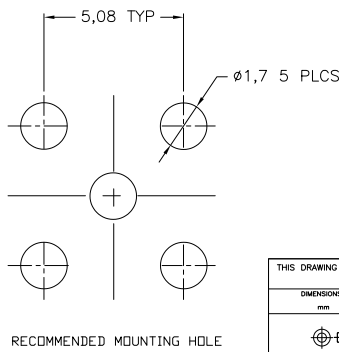
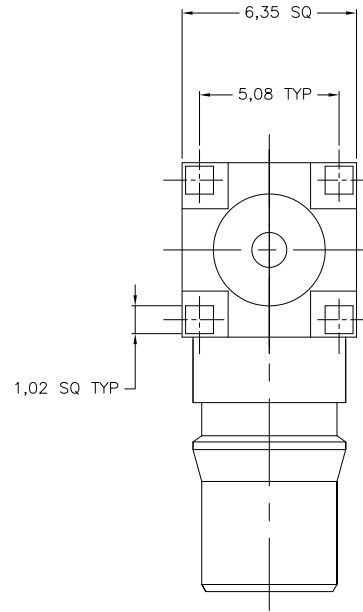
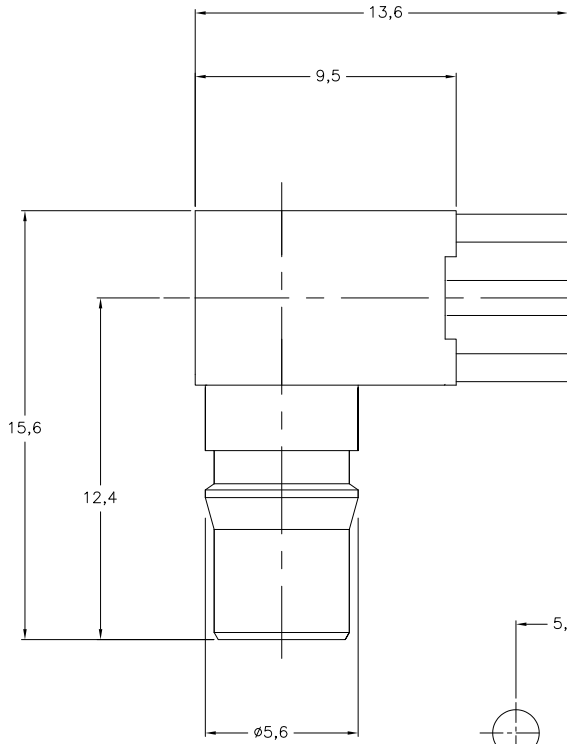
3

2

1

THIS DRAWING IS UNPUBLISHED. RELEASED FOR PUBLICATION  
 © COPYRIGHT BY TYCO ELECTRONICS CORPORATION. ALL INTERNATIONAL RIGHTS RESERVED.

LOC	DIST	REVISIONS			
F	LNK	DESCRIPTION	DATE	OWN	APPD
B		REV PER ECO 09-011512	5/27/2009	DW	JO



1408337-1  
PART NO.

COMPONENT	MATERIAL	FINISH
CONTACT	BERYLLIUM COPPER	GOLD
HOUSING	BRASS	GOLD
DIELECTRIC	PTFE	N/A

THIS DRAWING IS A CONTROLLED DOCUMENT.		DRN 16NOV2001	Tyco Electronics Corporation Harrisburg, PA 17105-3608	
DIMENSIONS: mm		DOCID	QMA RIGHT ANGLE PWB JACK	
TOLERANCES UNLESS OTHERWISE SPECIFIED:		CHK	RESTRICTED TO	
0 PLG	±	NAME	-	
1 PLG	± 0,2	ZIP/C	-	
2 PLG	± 0,13	PRODUCT SPEC	108-2087	
3 PLG	±	APPLICATION SPEC	-	
4 PLG	±	WEIGHT	-	
ANGLES	± 1	SIZE	A2 00779 ©=1408337	
MATERIAL		CUSTOMER DRAWING		SCALE 10:1 SHEET 1 of 1 REV B

1471-9 (1/08)

1408337

A