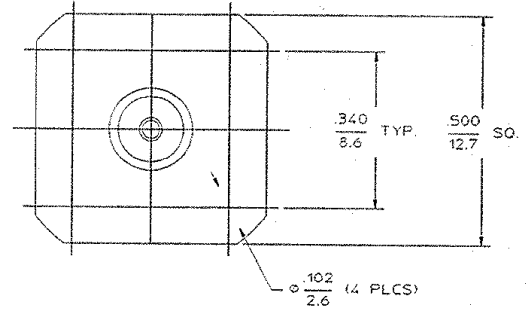



DESIGNED FOR USE WITH	141 S.P.
CABLE ENTRY DIAMETER MINIMUM	
HOUSING	.142
CONTACT	.037

REVISIONS			
REV	DESCRIPTION	DATE	APPROVED
01	RELEASED	10/1/96	<i>RF</i>



ELECTRICAL	MECHANICAL	ENVIRONMENTAL	COMPONENT	MATERIAL	FINISH
Nominal Impedance (Ohms) 50 Frequency Range (GHz) DC to 18 Volt Rating (VRMS MAX) @ Sea Level 500 VSWR 1.05 @ 0.008 GHz Insertion Loss (dB MAX) .03 @ 1 GHz RF Leakage (dB MIN) -90 @ 2 to 3 GHz Corona, 70,000 Ft (VRMS MIN) 375 Dielectric Withstanding Voltage (VRMS MIN @ Sea Level) 1500 Contact Resistance (Milliohms MAX) Center Contact 3.0 Outer Contact 2.0 Cable to Housing 0.5 RF High Potential @ Sea Level (VRMS MIN @ 5 MHz) 1,000 IR (Megohms MIN) 5,000	Interface Dimensions MIL-STD-3182, Fig. 310-2 Mating Characteristics Insertion (MAX Lbs) 2.0 Withdrawal (MIN Oz) 1.0 Force to Engage and Disengage (In-Lbs MAX) 2.0 Center Contact Captivation Axial (Lbs) N/A Radial (In-Oz) N/A Cable Retention Axial Force (Lbs) 60 Torque (In-Oz) 55 Weight (Grams) TBD  XXX = In XXX.X = mm (REF)	Temperature Rating -55°C TO +125°C Vibration MIL-STD-202, Method 204, Condition D Shock MIL-STD-202, Method 218, Condition 1 Thermal Shock MIL-STD-202, Method 107, Condition B, Except High Temp +115°C Moisture Resistance MIL-STD-202, Method 106, No Measurements at At High Humidity, IR, Shall Be At Least 200 Megaohms Within 5 Minutes After Removal From Humidity. Corrosion - MIL-STD-202, Method 101, Condition B, 5% salt spray	HOUSING  DIELECTRIC  CENTER CONTACT	STAINLESS STEEL PER ASTM-A484 AND ASTM- A562, TYPE 303  TFE FLUOROCARBON PER ASTM-D-1457  BERYLLIUM COPPER PER ASTM-B-196 OR ASTM-B-197, ALLOY C17300, CONDITION H	GOLD PLATE PER MIL-G-45204  N/A  GOLD PLATE PER MIL-G-45204
UNLESS OTHERWISE SPECIFIED DIMENSIONS ARE IN INCHES FRAC. DEC. ANGLES ± 1/64 ± .005 ± 9°			DRAWN BY <i>RF</i> DATE 8/27/96 CHECKED BY <i>RF</i> APP'D BY <i>RF</i> 10/1/96 USE ASSY PROCEDURE NO. AP. 20-554	<div style="text-align: center;">    <small>an AMP company</small> </div> TITLE OSM FLANGE MOUNT CABLE JACK DIRECT SOLDER ATTACH- MENT M39012/82B3002 CAT B SIZE CODE GENI NO. REV B 26805 2006-8002-90 01 SCALE 5:1 SHEET 1 OF 1	

Tyco Customer #N 1051088  
 Sheet 1 of 1  
 Rev 0