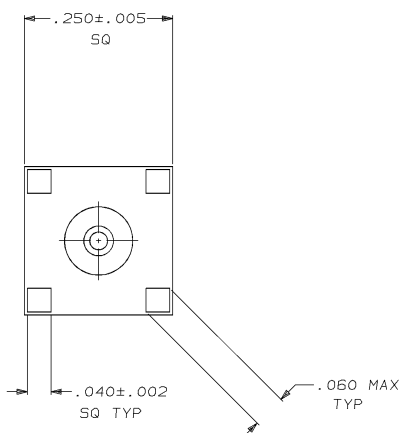
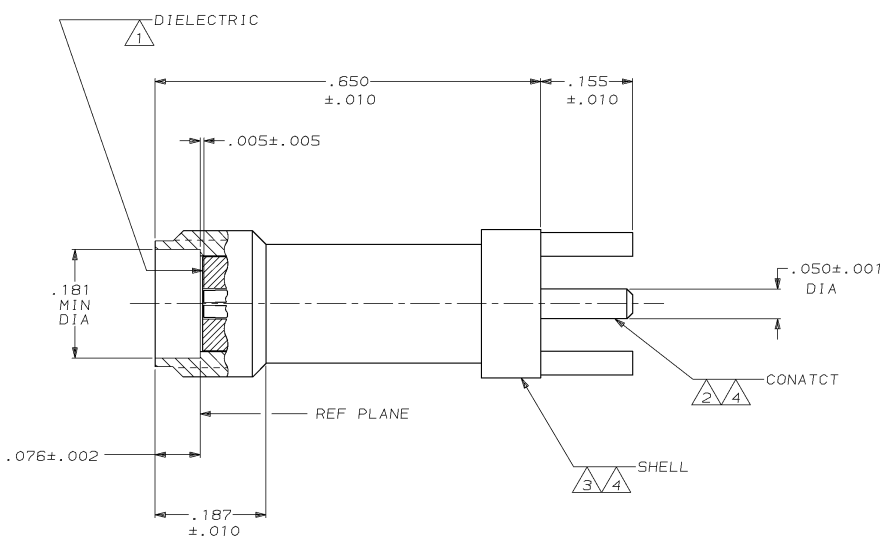
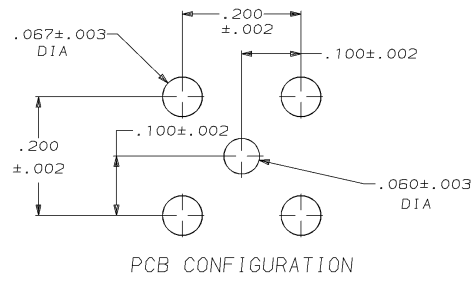


DRAWING MADE IN THIRD ANGLE PROJECTION  
 THIS DRAWING IS UNPUBLISHED. RELEASED FOR PUBLICATION  
 © COPYRIGHT 19 BY AMP INCORPORATED. ALL INTERNATIONAL RIGHTS RESERVED.

LOC	DIST	P	F	ZONE	LTR	REVISIONS	DATE	APPD
DF	XO				0	RELEASED - NPR 0600-2189-94	6-3-94	LL



- 1 PTFE PER ASTM-D-1710
- 2 BERYLLIUM COPPER PER ASTM-B-196 & -197
- 3 BRASS PER ASTM-B-16
- 4 GOLD PL PER MIL-G-45204



449785-1  
PART NUMBER

DO NOT SCALE PRINT. UNLESS SPECIFIED DIMENSIONS IN INCHES TOLERANCES ON :		DR		PART NO	
1 PLC DEC ± -	2 PLC DEC ± -	R. L. FISHER, JR.	4/11/94	AMP AMP Incorporated Harrisburg, PA 17105-3608	
3 PLC DEC ± -	ANGLES ± -	T. K. BLACK	6-3-94	JACK, VERTICAL, PCB, SERIES SMA	
MATERIAL		APPD LANG T. LE	6-3-94		
FINISH		APPLICATION SPEC	SIZE	CAGE CODE	DRAWING NO
4		-	©	00779	449785
WEIGHT		-	SCALE	8:1	SHEET 1 OF 1

CUSTOMER DRAWING

AMP 1471-6 REV 9-89  
 03 JUN 1994 13:31:02 #P17285 @R1260-0316200#P17285U.DM