

4

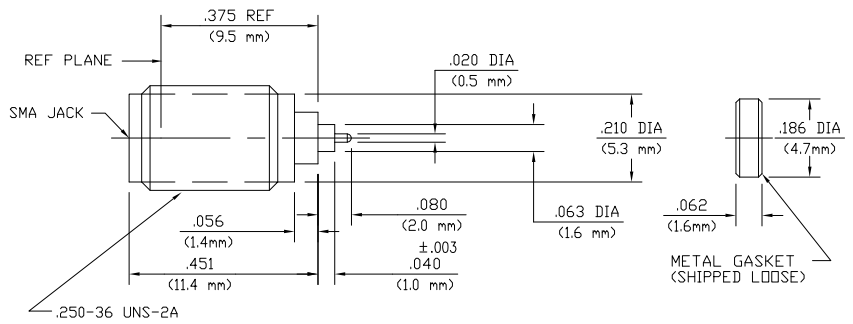
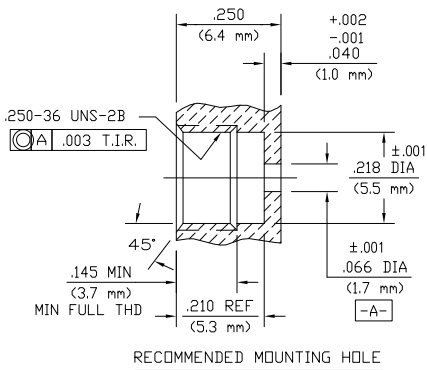
3

2

1

THIS DRAWING IS UNPUBLISHED. RELEASED FOR PUBLICATION  
 © COPYRIGHT BY TYCO ELECTRONICS CORPORATION. ALL RIGHTS RESERVED.

LOC		DIST		REVISIONS			
P	LTR	DATE	MIN	APD			
A		REV PER EDD 06-002539	07APR06	GB	JH		



6053226-1  
**PART NUMBER**

COMPONENT	MATERIAL	FINISH
HOUSING	STAINLESS STEEL PER ASTM-A484 AND ASTM-A302, TYPE 303	GOLD PLATE PER ASTM B 488
DIELECTRIC	TFE FLUOROCARBON PER ASTM D 1710	N/A
CTR CONTACT	BERYLLIUM COPPER PER ASTM B196	GOLD PLATE PER ASTM B 488
CONTACT EXT	IRON-NICKEL-COBALT ALLOY PER MIL-I-23011 (KDVAR)	GOLD PLATE PER ASTM B 488
METAL GASKET	SAE C12L14 STEEL	SILVER PLATE PER ASTM B 700
HERMETIC SEAL	GLASS BEAD	N/A

ELECTRICAL	MECHANICAL	ENVIRONMENTAL
Nominal Impedance (Ohms) 50 Frequency Range (GHz) DC - 26.5 Volt Rating (VRMS MAX) 325 @ Sea Level VSWR 1.04 + (0.009 F(GHz)) Insertion Loss (dB MAX) .25/F(GHz) RF Leakage (dB MIN) -100 - F(GHz) Corona, 70,000 Ft (VRMS MIN) 333 Dielectric Withstanding Voltage (VRMS MIN) 1000 @ Sea Level Contact Resistance (Milliohms MAX) Center Contact 10.0 Outer Contact 2.0 RF High Potential (VRMS MIN @ 5 Mhz) 670 @ Sea Level I.R.(Megohms) 5000	Interface Dimensions MIL-STD-348A FIG 310.2 Recommended Mating Torque N/A Mating Characteristics: Insertion (MAX Lbs) .30 Withdrawal (MIN Oz) 1.0 Force To Engage (In/Lbs MAX) 2.0 Force To Disengage (In/Lbs MAX) 2.0 Center Contact Captivation Axial .60 Lbs Radial N/A Weight (Grams) T.B.D.	TEMPERATURE RATING -65°C TO +125°C Vibration - MIL-STD-202, Method 204, Condition B, 200's Shock - MIL-STD-202, Method 213, Condition I Thermal Shock MIL-STD-202, Method 107, Condition B EXCEPT HIGH TEMP 115°C Moisture Resistance - MIL-STD-202, Method 106 Corrosion - MIL-STD-202, Method 101, Condition B, 5% salt spray Leak Test - MIL-STD-202, Method 112, Condition C, Procedure I, 1 x 10 CC/Sec

THIS DRAWING IS A CONTROLLED DOCUMENT.

DIMENSIONS: INCHES (mm) 0 PLG ± .005 1 PLG ± .005 2 PLG ± .005 3 PLG ± .005 4 PLG ± .005 ANGLES ± .5°	OTHER DIMENSIONS: UNLESS SPECIFIED	DATE: 10MP991 C.W.: 10MP991 PRODUCT SPEC: 10MP991 G.S.D.D.: APPLICATION SPEC: 408-4847 HEIGHT: A2 CUSTOMER DRAWING	Tyco Electronics Corporation Harrisburg, PA 17105-3608 <b>SMA PANEL FEEDTHRU JACK RECEPTACLE HERMETICALLY SEALED (2058-5119-00)</b> SIZE: 00779 SCALE: 5:1 SHEET: 1 of 1 REV: A
--	---------------------------------------	--	---