

4

3

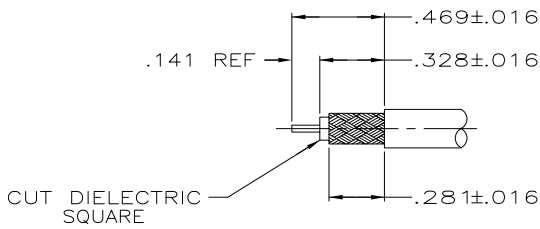
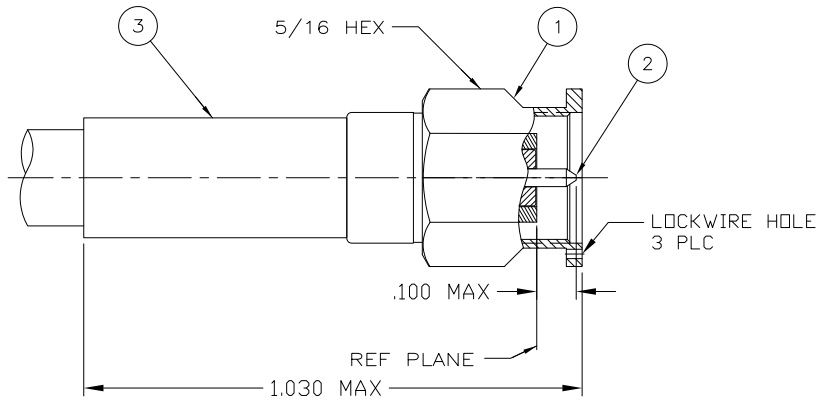
2

1

THIS DRAWING IS UNPUBLISHED. RELEASED FOR PUBLICATION  
 © COPYRIGHT - BY TYCO ELECTRONICS CORPORATION. ALL INTERNATIONAL RIGHTS RESERVED.

LOC		DIST		REVISIONS			
P	LTR	DESCRIPTION		DATE	DWN	APVD	
D		REV PER ECO 11-002303		2-2-11	CT	DW	

1. FOR USE WITH: RG-141/U, 141A/U & 303/U CABLE
2. CRIMP WITH TOOL: 220061-1
3. SEE I.S. 2322
4. 00779 M39012/55B3024



RECOMMENDED STRIP LENGTH  
 SCALE: 2:1

1	225619-2	FERRULE	3
1	225540-2	CONTACT	2
1	225533-1	PLUG ASSEMBLY	1
QTY	PART NUMBER	DESCRIPTION	ITEM

THIS DRAWING IS A CONTROLLED DOCUMENT.

DWN	L.A.MOSCOSO	8-17-88	Tyco Electronics Corporation Harrisburg, PA 17105-3608
CHK	M.SNEED	9-12-88	
APVD			NAME
DIMENSIONS: INCHES			PRODUCT SPEC
TOLERANCES UNLESS OTHERWISE SPECIFIED:			APPLICATION SPEC
0 PLC	± -		SIZE
1 PLC	± -		CAGE CODE
2 PLC	± -		DRAWING NO
3 PLC	± -		RESTRICTED TO
4 PLC	± -		WEIGHT
ANGLES	± -		CUSTOMER DRAWING
MATERIAL			SCALE
FINISH			SHEET
			1 OF 1
			REV
			D

1470-19 (1/08)

us016412

H:\docmod\225532-9\_1\_c.dwg

02FEB2011