

4

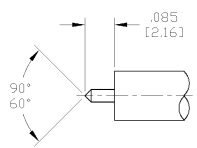
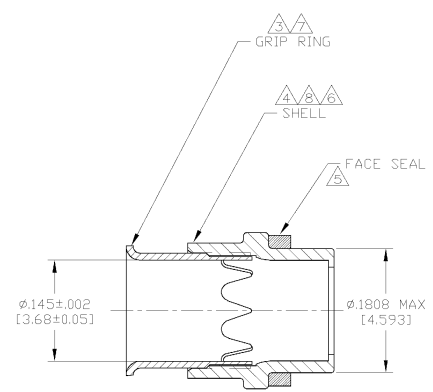
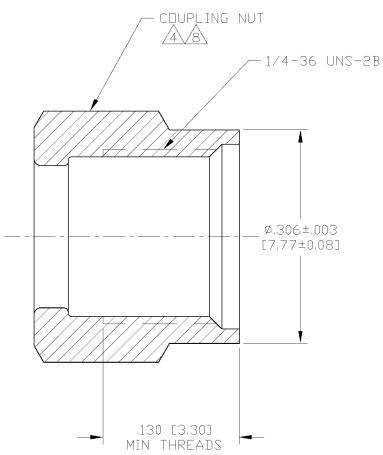
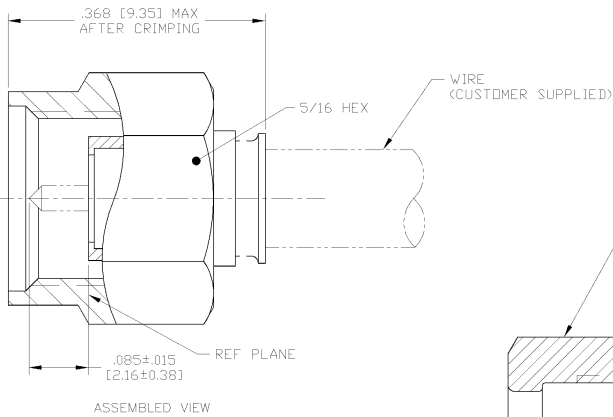
3

2

1

THIS DRAWING IS UNPUBLISHED. RELEASED FOR PUBLICATION N/A - N/A
 © 2009/08 N/A BY TYCO ELECTRONICS CORPORATION. ALL RIGHTS RESERVED.

LOC	DRST	REVISIONS				
DF	XO	P	CHK	DATE	OWN	APP
		O	RELEASED	4-02	CT	JM



- FOR USE WITH RG-402/U, .141 [3.58] SEMI-RIGID CABLE.
- SEE I.S. 6788.
- BRASS PER MIL-C-50.
- STAINLESS STEEL PER ASTM-A-582
- SILICONE RUBBER PER ZZ-R-765.
- LOCTITE SEALANT
- NICKEL PLATE PER QQ-N-290.
- PASSIVATION PER QQ-P-35.
- .500 [12.70] MIN LENGTH OF STRAIGHT CABLE REQUIRED TO APPLY THE CONNECTOR.
- FREQUENCY RANGE: 0 TO 26.5 GHZ.

1484820-1
PART NO.

THIS DRAWING IS A CONTROLLED DOCUMENT		DR: C.C. THOMAS 10APR2002	tyco Electronics		Tyco Electronics Corporation Harrisburg, Pa. 17105
DIMENSIONS: INCHES (mm)		DR: J. MARKEY 4-11-02	PLUG, WEATHERPROOF, SERIES SMA, RF		
TOLERANCES UNLESS OTHERWISE SPECIFIED:		APP: J. MARKEY 4-11-02	RESTRICTED TO		
D PLC ± .005		PRODUCT SPEC: 108-12089	SIZE: A2	CAGE CODE: 00779	DRAWING NO: 1484820
Ø PLC ± .005 (0.13)		APPLICATION SPEC: -	CUSTOMER DRAWING		
H. PLC ± .005		HEIGHT: -	SCALE: 1.0:1	SHEET: 1 OF 1	REV: 0
ANGLES ± .5					
MATERIAL: SEE CALLOUTS		FINISH: SEE CALLOUTS			

AMP 1471-9 REV 31MAR2000
H:\docmod\

1484820