

4

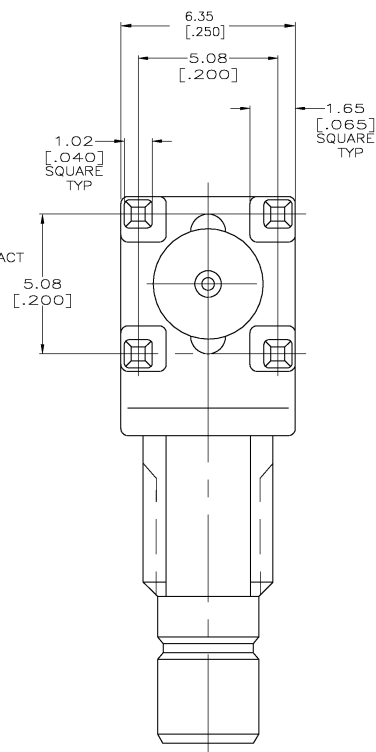
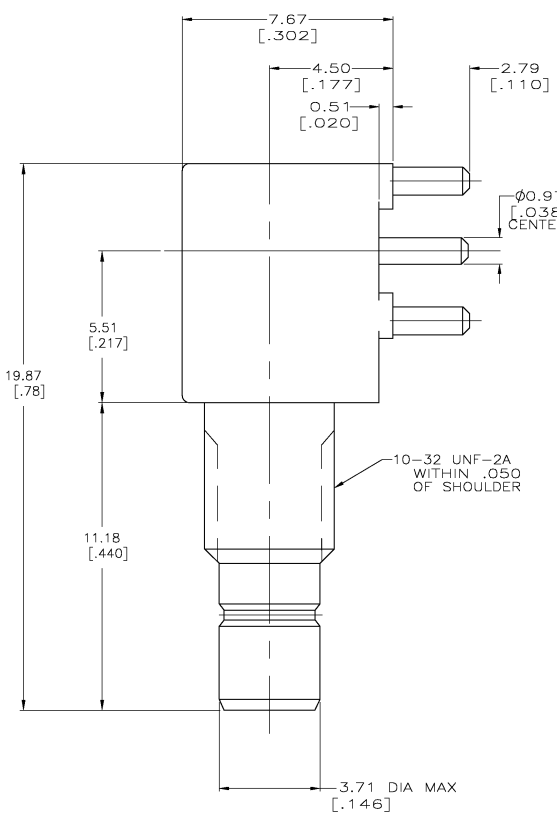
3

2

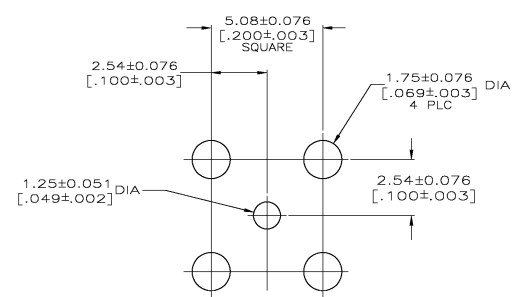
1

THIS DRAWING IS UNPUBLISHED. RELEASED FOR PUBLICATION
 BY TYCO ELECTRONICS CORPORATION. ALL RIGHTS RESERVED.

| LOC | DIST | REVISIONS | | | |
|-----|------|-----------------------------|---------|------|------|
| P | LTR | DESCRIPTION | DATE | OWN | APPD |
| HC | 00 | | | | |
| | A | REVISED PER EC 0514-0303-03 | 08JUL03 | RMFR | RMFR |



- △ MATERIALS:
 SHELL: ZINC ALLOY (ACUZINC)
 CONTACT: BRASS PER QQ-B-626
 DIELECTRICS: TEFLON PER ASTM-D1710
- △ FINISH:
 CONTACT: GOLD PLATE PER MIL-G-45204
 SHELL: GOLD PLATE PER MIL-G-45204
- 3. INTERFACE PER MIL-C-39012
- 4. REFERENCE HEWLETT PACKARD PART NUMBER 1250-1512.



RECOMMENDED PCB CONFIGURATION

414963-1
 PART NUMBER

| | | | |
|--|--|----------------------------|--|
| THIS DRAWING IS A CONTROLLED DOCUMENT. | | DN: S. BURKHOLDER 05/15/98 | Tyco Electronics Corporation Norwood, Mass. 02062 |
| DIMENSIONS: MW | | CHK: J. CABARLO 3-28-98 | |
| | | APPD: J. CABARLO 3-28-98 | NAME: PCB JACK, RIGHT ANGLE, SMB |
| 0 PLC ± - 1 PLC ± - 2 PLC ± 0.13 (005) 3 PLC ± - 4 PLC ± - ANGLES ± ° | | PRODUCT SPEC: - | RESTRICTED TO: - |
| MATERIAL: △ | | APPLICATION SPEC: - | SEE DATE CODE DRAWING NO: - |
| FINISH: △ | | HEIGHT: - | A2 00779 ©=414963 |
| | | CUSTOMER DRAWING | SCALE: 10:1 SHEET 1 OF 1 REV A |

C:\ENGA\p03\TEG\dm\1.1\bin\

414963