

4

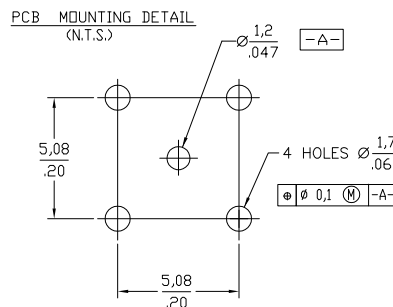
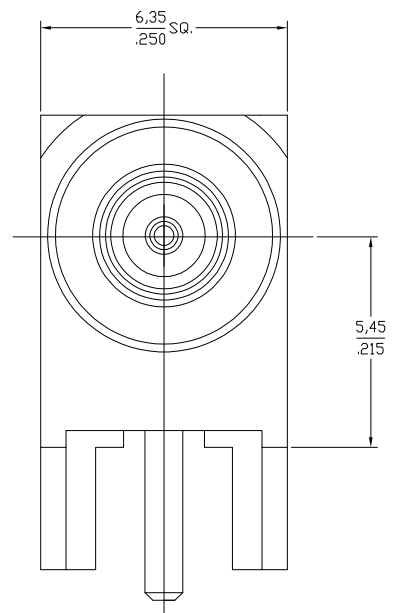
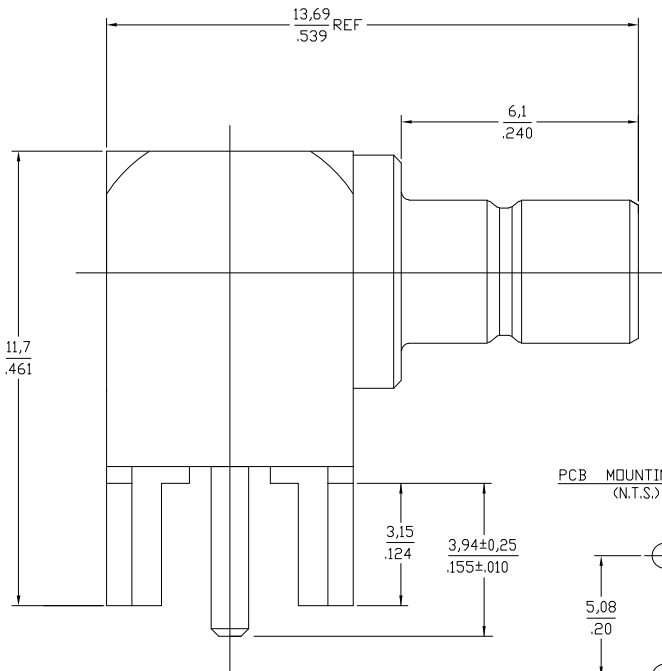
3

2

1

THIS DRAWING IS UNPUBLISHED. RELEASED FOR PUBLICATION
 © COPYRIGHT - BY TYCO ELECTRONICS CORPORATION. ALL RIGHTS RESERVED.

LOC		DIST		REVISIONS			
P	LTR	DESCRIPTION	DATE	DWN	APVD		
HC	00	A1	REVISED PER ECO 06-006127	01JUN06	GB	JH	



1310852-1
PART #

COMPONENT	MATERIAL	FINISH
CAP JACK HOUSING EXTRA HOUSING MALE CONTACTS	BRASS PER ASTM B 16, 1/2 HD	GOLD PLATE PER ASTM B 488
DIELECTRICS	TEFLON PER ASTM D 1710	N/A

THIS DRAWING IS A CONTROLLED DOCUMENT.

DIMENSIONS: mm [INCHES]	TOLERANCES UNLESS OTHERWISE SPECIFIED:	DWN CAM 8/22/85		Tyco Electronics Corporation Harrisburg, PA 17105-3608
0 PLC ± - 1 PLC ± - 2 PLC ± - 3 PLC ± 0.127 [.005] 4 PLC ± - ± 1° ANGLES	MATERIAL FINISH	CHK CAM 8/22/85 APVD CAM 8/22/85		NAME 'SMB' PCB RIGHT ANGLE SOCKET (B65N10G999X)
		PRODUCT SPEC	SIZE A3	CAGE CODE 00779
		APPLICATION SPEC	DRAWING NO C-1310852	RESTRICTED TO
		WEIGHT	SCALE 10:1 SHEET 1 OF 1 REV A1	
		CUSTOMER DRAWING		