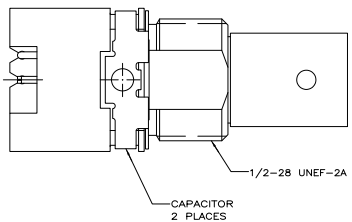
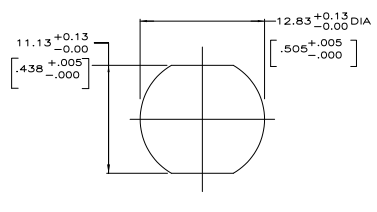
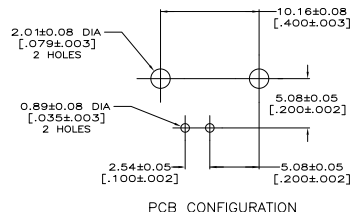
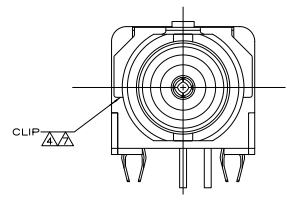
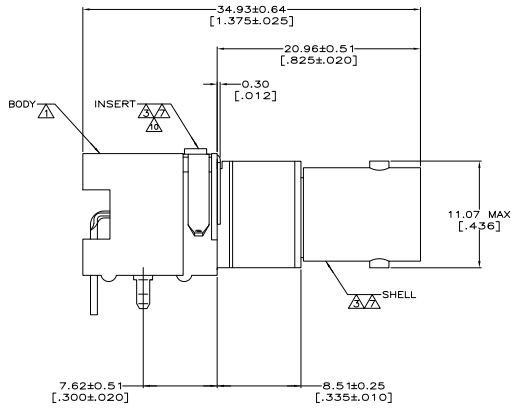
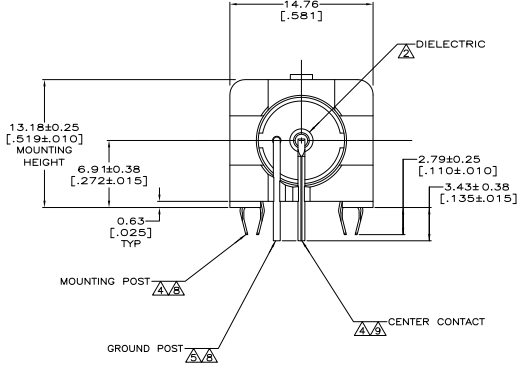


REV	DATE	DESCRIPTION	BY	APP'D
AJ	16			
B		REV PER ECO 08-09474		



- ▲ POLYESTER, PBT, BLACK, PER MIL-M-24519.
- ▲ POLYMETHYLPENTENE GENERAL PURPOSE.
- ▲ ZINC PER QQ-Z-363.
- ▲ PHOSPHOR BRONZE PER QQ-B-750.
- ▲ BRASS PER QQ-B-626.
- ▲ BRASS PER ASTM-B-453.
- ▲ NICKEL PL PER QQ-N-290.
- ▲ TIN PLATE PER ASTM-B-545.
- ▲ SELECTIVELY GOLD PLATED ON INTERFACE AREA PER ASTM-B-488, 0.76 [0.00030] THICK, TIN PLATED ON SOLDER TAIL PER ASTM-B-545, ALL OVER NICKEL PLATE PER QQ-N-290.
- ▲ ESD DEVICE, VOLTAGE BREAKDOWN <3.5KVDC.



9400 pf, 1500 VDC	5415216-1
CAPACITANCE AND VOLTAGE	PART NO

THIS DRAWING IS A CONTROLLED DOCUMENT.		REV	DATE	DESCRIPTION	BY	APP'D
1	108-1269					
DRAWING		SEE NOTES 1 - 6	SEE NOTES 7A&A0	CUSTOMER DRAWING	A1	00779
TITUS ELECTRONICS CORPORATION		Harrisburg, PA 17105-3608		5415216-1		
JACK, DECOUPLER, PCB, 75 OHM		RIGHT ANGLE, LOW PROFILE,		ESD PROTECTED, BNC		
REWORKED TO		REV		REV		