

4

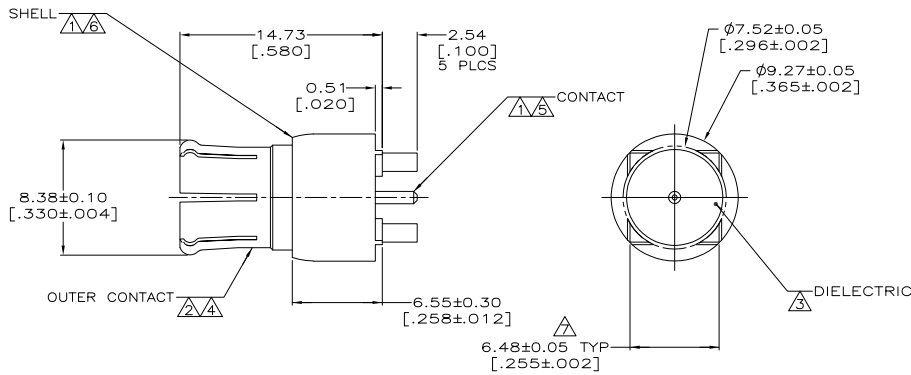
3

2

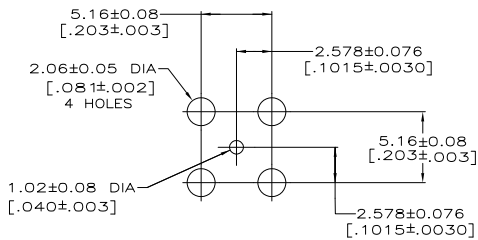
1

THIS DRAWING IS UNPUBLISHED. RELEASED FOR PUBLICATION
 © COPYRIGHT BY TYCO ELECTRONICS CORPORATION. ALL RIGHTS RESERVED.

| LOC | DIST | REVISIONS | | | | | |
|-----|------|-----------|-----|-------------------------|-----------|-----|-----|
| | | P | LTR | DESCRIPTION | DATE | MIN | APD |
| AJ | 16 | O | | REV PER EC-0514-0496-04 | 02FEB2005 | LV | JL |



- △ BRASS PER ASTM-B-453
- △ BERYLLIUM COPPER PER ASTM-B-196
- △ PTFE PER MIL-P-19468
- △ NICKEL PLATE PER QQ-N-290
5.08 μm [.000200] MINIMUM THICK.
- △ GOLD PLATE PER MIL-G-45204
0.76 μm [.000030] MINIMUM THICK.
- △ TIN PLATE PER ASTM-B-545,
3.04 μm [.000120] MINIMUM THICK.
- △ DIMENSION TO OUTSIDE OF LEGS



RECOMMENDED PCB CONFIGURATION

6274360-1
PART NUMBER

| | | | | | |
|--|----------------------------|-------------------------------|-----------------------------|--------------------------------------|---|
| THIS DRAWING IS A CONTROLLED DOCUMENT. | | MIN L VARELA - 02FEB2005 | OK J HAVENER - 02FEB2005 | TYCO Electronics | Tyco Electronics Corporation Harrisburg, PA 17105-3608 |
| DIMENSIONS: INCHES | UNLESS OTHERWISE SPECIFIED | APPC J LIPPERT - 02FEB2005 | NAME 108-12078 | PUSH ON PLUG, PCB, 75 OHM, VERT, BNC | |
| MATERIAL: SEE NOTES 1 - 3 | FINISH: SEE NOTES 4 - 6 | APPLICATION SPEC | HEIGHT | SIZE A2 | CAGE CODE 00779 |
| CUSTOMER DRAWING | | | SCALE 5:1 | SHEET 1 of 1 | REV 0 |

AMP 1471-9 REV 31MM2000

6274360

A