

4

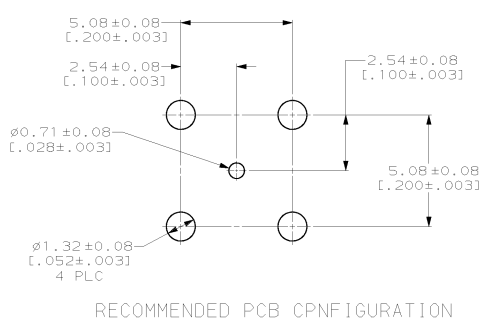
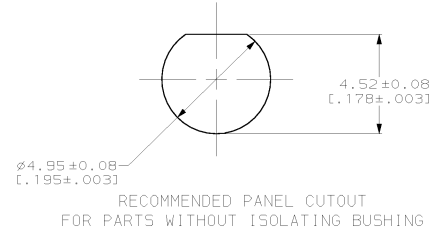
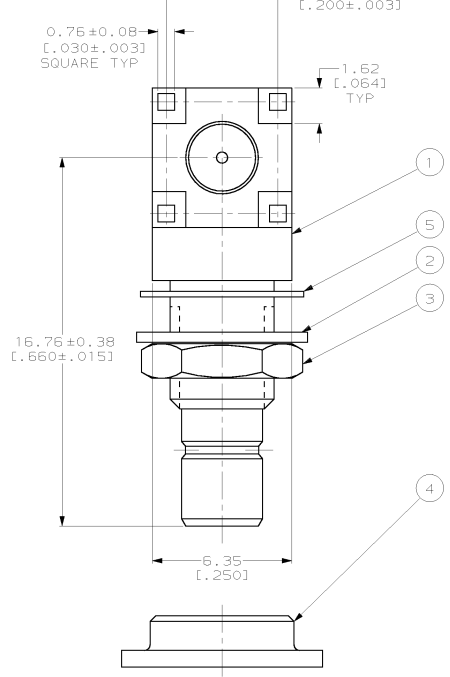
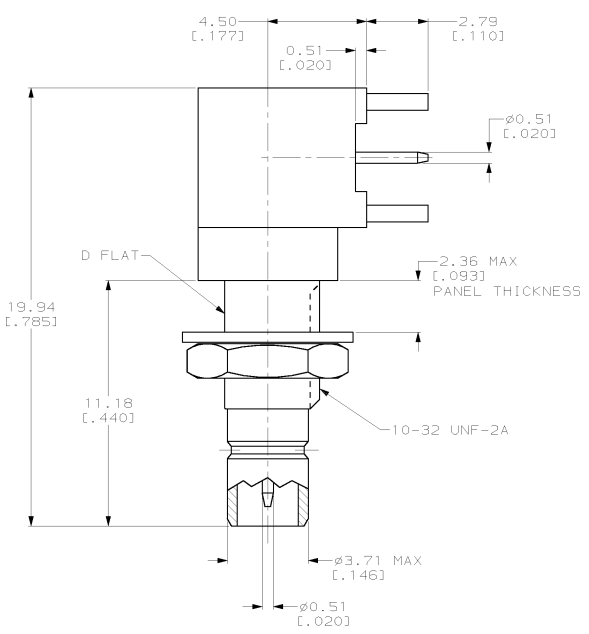
3

2

1

THIS DRAWING IS UNPUBLISHED. RELEASED FOR PUBLICATION. BY AMP INCORPORATED. ALL RIGHTS RESERVED.

LOC	QTY	REV	DESCRIPTION	DATE	BY	APPD
AJ	16	F	LTR			
		L	REVISED PER EC 0514-0287-02	25SEP02	DD	KW



OBSELETE	-	-	414969-3	982059-5	415496-2	415377-4
	228019-3	415784-1	414969-3	415001-2	415496-2	415377-3
	⑤ ISOLATING WASHER QTY=45	④ ISOLATING BUSHING QTY=45	③ JAMNUT QTY=45	② LOCKWASHER QTY=45	① JACK ASSY QTY=40	PART NUMBER

OBSELETE	-	-	414969-3	982059-5	415496-2	415377-6
	228019-3	415784-1	414969-3	415001-2	415496-2	415377-5
	-	-	414969-3	415001-3	415496-2	415377-2
	-	-	414969-2	415001-2	415496-1	415377-1
	⑤ ISOLATING WASHER QTY=1	④ ISOLATING BUSHING QTY=1	③ JAMNUT QTY=1	② LOCKWASHER QTY=1	① JACK ASSY QTY=1	PART NUMBER

THIS DRAWING IS A CONTROLLED DOCUMENT.

DRAWN BY: ROYER 24APR99	DATE: 24APR99	AMP AMP Incorporated Harrisburg, PA 17105-3608
CHECKED BY: MICHAEL 21JUN00	DATE: 21JUN00	
APPROVED BY: MICHAEL 21JUN00	DATE: 21JUN00	JACK, RTANG, PCB, 75 OHM, SMB
PRODUCT SPEC: -	APPLICATION SPEC: -	
MATERIAL: -	FINISH: -	SIZE: A2
		SCALE: 8:1
		SHEET: 1 OF 1
		REV: L

AMP 1471-9 REV 23FEB95
04-001-01 18-06-11 amp36051 /note/amp36051/revised

415377