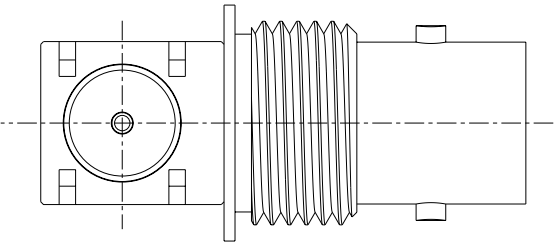
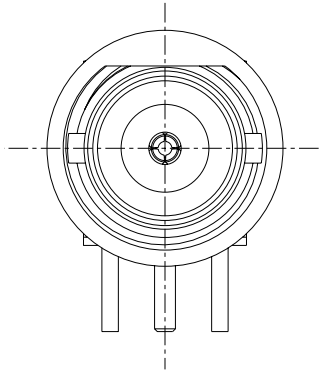
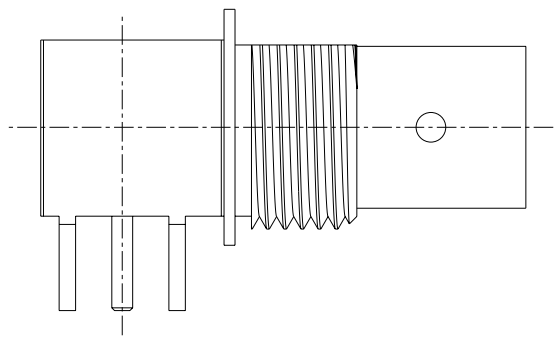


THIS DRAWING IS UNPUBLISHED. RELEASED FOR PUBLICATION  
 © COPYRIGHT 20 BY TYCO ELECTRONICS CORPORATION. ALL RIGHTS RESERVED.

LOC		DIST		REVISIONS			
P	LYR	DESCRIPTION	DATE	BY	APPD		
D		REVISED PER EC OS14-0097-05	10MAY05	BM	KW		



△ P/N 1274584-1 INCLUDES CONNECTOR P/N 1274629-1 (SHOWN ABOVE), JAM NUT P/N 2-330249-2 AND LOCKWASHER P/N 1-329492-1 (NOT SHOWN) PACKAGED SEPERATELY

△ 1274584-1  
 PART NUMBER

DIMENSIONS: INCHES (mm)		TOLERANCES UNLESS OTHERWISE SPECIFIED:		DWN K. WEIDNER 30 JUL 2003		Tyco Electronics Harrisburg, PA 17105-3600	
0	PLC	±		CHK G. MICHAEL 08 JAN 2004	NAME K. WEIDNER 08 JAN 2004	JACK KIT, R/A, BULKHEAD, PCB, MINI BNC W/HARDWARE	
1	PLC	±		APD K. WEIDNER	PRODUCT SPEC 108-2159	SIZE	CAGE CODE
2	PLC	±			APPLICATION SPEC	DRAWING NO	RESTRICTED TO
3	PLC	±	0.05 (1.13)			A2 00779	1274584
4	PLC	±					
MATERIAL		ANGLE	±	WEIGHT			
		FINISH			CUSTOMER DRAWING	SCALE	8:1