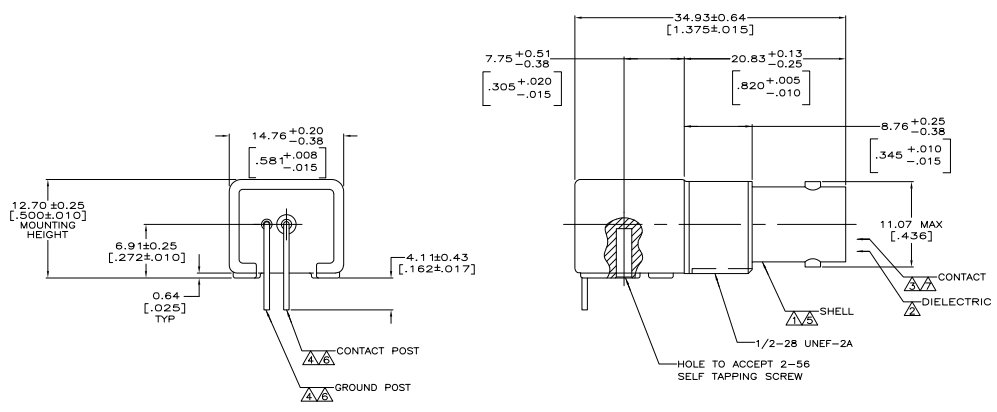
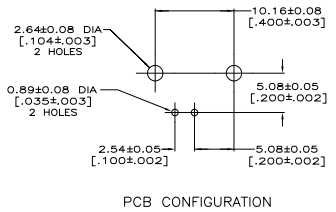
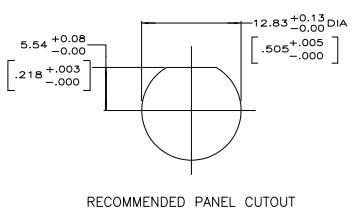


REV	DATE	BY	CHKD	APPROVED	REVISIONS
AJ	16				REVISIONS
					DATE
					BY
					20072205[REH] JL
					REVISED PER EC 0514-0150-05



- △ ZINC PER QQ-Z-363.
- △ POLYMETHYLPENTENE, GENERAL PURPOSE.
- △ BERYLLIUM COPPER PER QQ-C-530.
- △ BRASS PER ASTM-B-453.
- △ NICKEL PLATE PER QQ-N-290, 3.81 μm [.000150] MINIMUM THICK.
- △ TIN PLATE PER ASTM-B-545, 3.81 μm [.000150] MINIMUM THICK.
- △ GOLD PLATE PER ASTM-B-488, 0.76 μm [.000030] MINIMUM THICK.
- 8. SEE INSTRUCTION SHEET 408-2769.



6274072-1
PART NUMBER

THIS DRAWING IS A CONTROLLED DOCUMENT.		ALCOASTA DIVISION	EXPRESS	TYCO ELECTRONICS CORPORATION
DESIGNED BY	ENGINEER	DATE	REVISED BY	DATE
DRWING NO.	REV.	DATE	REVISED BY	DATE
SEE NOTES 1 - 5		SEE NOTES 6 - 7		CUSTOMER DRAWING