

4

3

2

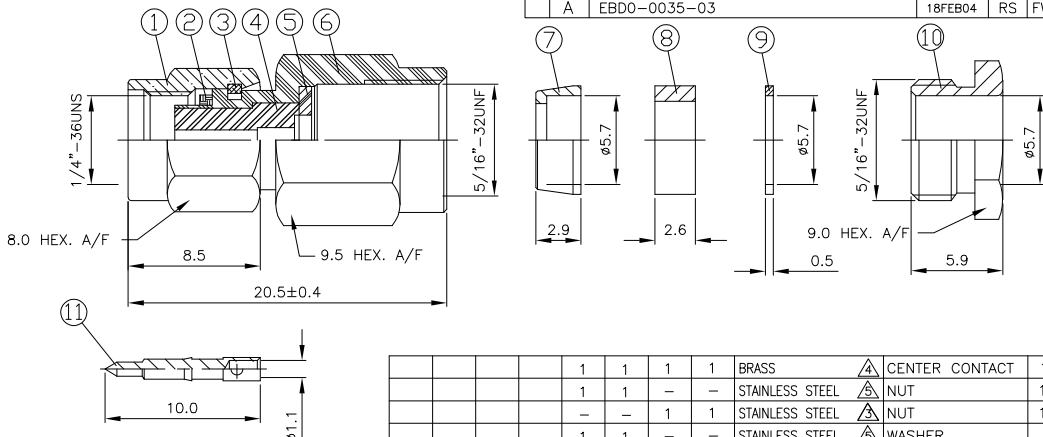
1

THIS DRAWING IS UNPUBLISHED. RELEASED FOR PUBLICATION APRIL, 2004.  
 © COPYRIGHT 2004 BY TYCO ELECTRONICS CORPORATION. ALL RIGHTS RESERVED.

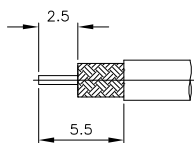
LOC	DIST	REVISIONS			
P	LTR	DESCRIPTION	DATE	DWN	APVD
	B	EBD0-0189-04	22APR04	RS	FWK
	A	EBD0-0035-03	18FEB04	RS	FWK

NOTES:

- 1 SINGLE PACK IN ACCORDANCE WITH SPEC 107-3275
- 2 100 TRAY PACK IN ACCORDANCE WITH SPEC 107-3275
- 3 0.08µm Au PLATING OVER 1.27µm Ni PLATING
- 4 0.76µm Au PLATING OVER 1.27µm Ni PLATING OVER 0.76µm Cu PLATING
- 5 PASSIVATED
- 6 FOR TECHNICAL DATA REFER TO YOUR LOCAL TYCO ELECTRONICS SALES OFFICE
- 7 ALL DIMENSIONS ARE NOMINAL FOR REFERENCE ONLY UNLESS OTHERWISE STATED



RECOMMENDED CABLE STRIPPING DIM'S



QTY	1	1	1	1	MATERIAL	DESCRIPTION	ITEM
	1	1	1	1	BRASS	△ CENTER CONTACT	11
	1	1	-	-	STAINLESS STEEL	△ NUT	10
	-	-	1	1	STAINLESS STEEL	△ NUT	10
	1	1	-	-	STAINLESS STEEL	△ WASHER	9
	-	-	1	1	STAINLESS STEEL	△ WASHER	9
	1	1	1	1	SILICONE	GASKET	8
	1	1	-	-	STAINLESS STEEL	△ CLAMP	7
	-	-	1	1	STAINLESS STEEL	△ CLAMP	7
	1	1	-	-	STAINLESS STEEL	△ BODY	6
	-	-	1	1	STAINLESS STEEL	△ BODY	6
	1	1	-	-	STAINLESS STEEL	△ WASHER	5
	-	-	1	1	STAINLESS STEEL	△ WASHER	5
	1	1	1	1	PTFE	INSULATOR	4
	1	1	1	1	STAINLESS STEEL	CIRCLIP	3
	1	1	1	1	SILICONE	GASKET	2
	1	1	-	-	STAINLESS STEEL	△ SHELL	1
	-	-	1	1	STAINLESS STEEL	△ SHELL	1
	2--1	2--0	1--1	1--0	MATERIAL	DESCRIPTION	ITEM

QUANTITY PER ASSY

PARTS LIST

THIS DRAWING IS A CONTROLLED DOCUMENT.

DWN: R. SMITH (06FEB04)  
 CHK: S. PARLOW (06FEB04)  
 APVD: F. WHEELER-KING (06FEB04)

NAME: SMA STRAIGHT PLUG, JACK SOLDER PIN, CLAMP ATTACHMENT  
 PRODUCT SPEC: 108-3460  
 APPLICATION SPEC: 411-3276

MATERIAL: SEE TABLE

TYCO Electronics Tyco Electronics Corporation  
 Bideford, UK, EX39 4HE

SIZE: A3 CAGE CODE: 00779 DRAWING NO: 1478907 RESTRICTED TO: B

WEIGHT: - SCALE: 1:1 SHEET: 1 OF 1 REV: B

CUSTOMER DRAWING