

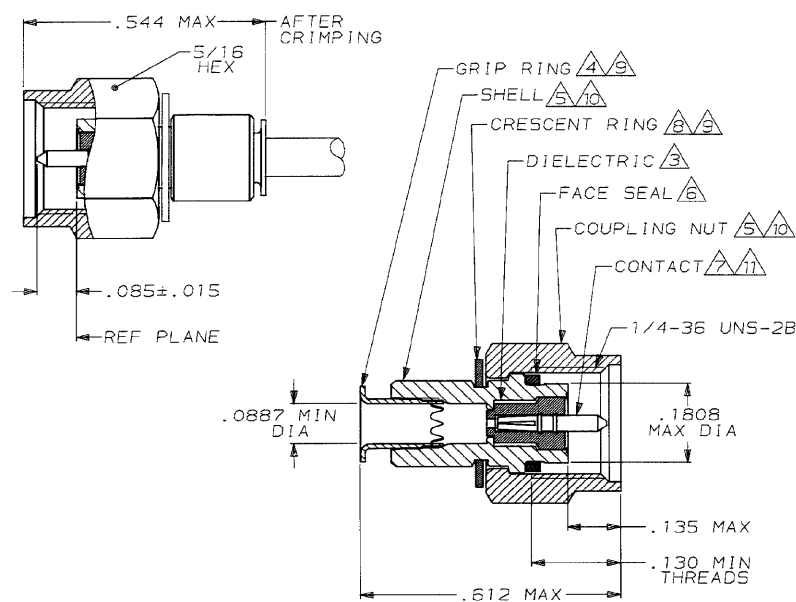
DRAWING MADE IN THIRD ANGLE PROJECTION

THIS DRAWING IS UNPUBLISHED. RELEASED FOR PUBLICATION .19

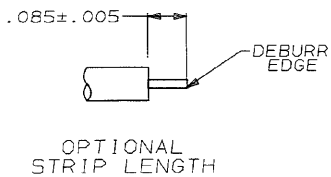
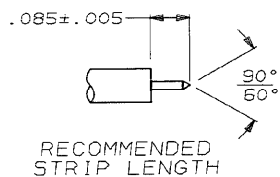
© COPYRIGHT 19 BY AMP INCORPORATED, HARRISBURG, PA. ALL INTERNATIONAL RIGHTS RESERVED. AMP PRODUCTS MAY BE COVERED BY U.S. AND FOREIGN PATENTS AND/OR PATENTS PENDING.

LOC DIST
AJ 16

REVOLUTIONS		ZONE	LTR	DESCRIPTION	DATE	APPROVED
✓	✓		G	REDWN & REV PER AJ-2377	5-19-87	MS/DH
✓	✓		H	REV PER AJ-3182	7-13-88	MS
			J	REV PER AJ-3549	2-9-89	CB



- FOR USE WITH: RG-405/U, .086 SEMI-RIGID CABLE
- SEE I.S. 6788
- PTFE PER MIL-P-19468
- BRASS PER MIL-C-50
- STAINLESS STEEL PER ASTM-A-582
- SILICONE RUBBER PER ZZ-R-765
- BERYLLIUM COPPER PER QQ-C-530
- BERYLLIUM COPPER, ALLOY #25
- NICKEL PL PER QQ-N-290
- PASSIVATION PER QQ-P-35
- GOLD PL PER MIL-G-45204
- M39012/79B3103
- .500 MIN LENGTH OF STRAIGHT CABLE REQUIRED TO APPLY THE CONNECTOR



227868-1

PART NO

UNLESS OTHERWISE SPECIFIED DIMENSIONS ARE IN INCHES TOLERANCES ON:		DR M. SNEED 5-19-87	AMP INCORPORATED Harrisburg, Pa. 17105	
2 PL DEC *	3 PL DEC *	CHK D. HEIDE 5-19-87		
ANGLES *		APPD M. WALMSLEY 5-19-87	NAME	
MATERIAL		APPR M. SNEED 5-19-87	PLUG, MIL-B, SERIES SMA	
FINISH		PRODUCT SPEC 108-12055	SIZE B	FSCM NO 00779
		APPLICATION SPEC	DRAWING NO 227868-1	
		WEIGHT .093 OZ	SCALE 5:1	SHEET 1 OF 1

CUSTOMER DRAWING

AMP 1470-15 REV 10-84