

4

3

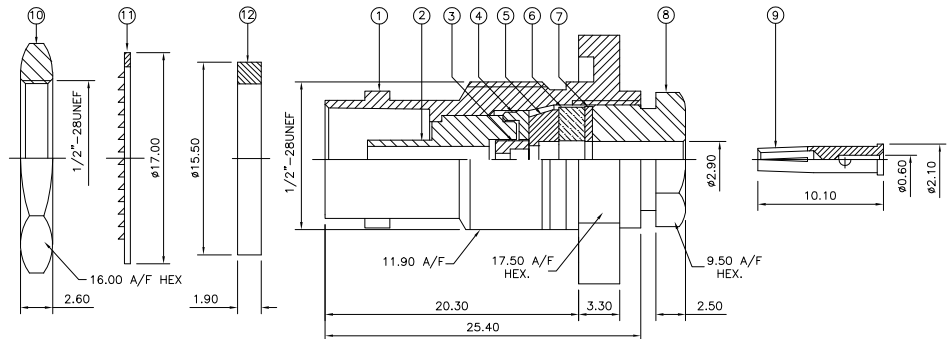
2

1

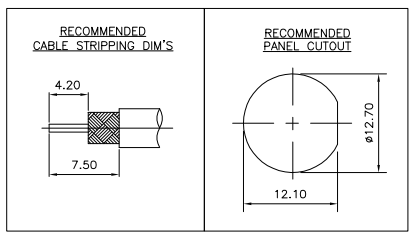
THIS DRAWING IS UNPUBLISHED. RELEASED FOR PUBLICATION JULY, 2006.
 © COPYRIGHT 2006 BY TYCO ELECTRONICS CORPORATION. ALL RIGHTS RESERVED.

LOC		DIST		REVISIONS			
P	LTR	DESCRIPTION	DATE	DWN	APVD		
B		ECR-06-015596	13JUL06	JMS	FWK		

- NOTES:**
- 1 PACK IN ACCORDANCE WITH AMP SPEC 107-3275
 - 2 100 TRAY PACK IN ACCORDANCE WITH AMP SPEC 107-3275
 - 3 Ag PLATING
 - 4 THIS ITEM MUST BE WHITE
- 5 ELECTRICAL CHARACTERISTICS**
- | | |
|-------------------------------|----------------------------|
| FREQUENCY RANGE: | DC - 2 GHz |
| NOMINAL IMPEDANCE: | 75 Ohm |
| INSULATION RESISTANCE: | 5000 MOhm |
| WORKING VOLTAGE: | 500 Volts RMS at Sea Level |
| DIELECTRIC WITHSTAND VOLTAGE: | 1500 Volts RMS Max |
| CONTACT RESISTANCE: | |
| CENTRE CONTACT: | 1.50 mOhm Max |
| OUTER CONTACT: | 0.20 mOhm Max |
| VSWR @ 2GHz: | 1.20:1 Max |
| INSERTION LOSS dB @ x 2 GHz: | 0.20 Max |
- 6 MECHANICAL CHARACTERISTICS**
- | | |
|-------------------------------|----------------|
| COUPLING RETENTION FORCE: | N/A |
| CABLE RETENTION FORCE: | 85N Min |
| CLAMP NUT RECOMMENDED TORQUE: | 4N |
| MOUNT NUT RECOMMENDED TORQUE: | 4N |
| DURABILITY: | 500 Cycles Min |
- 7 ENVIRONMENTAL CHARACTERISTICS**
- | | |
|------------------------|------------------|
| OPERATING TEMPERATURE: | -65 to +165 DegC |
|------------------------|------------------|
- 8 FOR TECHNICAL DATA REFER TO YOUR LOCAL TYCO ELECTRONICS SALES OFFICE**
- 9 ALL DIMENSIONS ARE NOMINAL FOR REFERENCE ONLY UNLESS OTHERWISE STATED**



QTY	UNIT	MATERIAL	DESCRIPTION	ITEM
1	1	SILICON RUBBER	GASKET	12
1	1	STEEL	LOCKWASHER	11
1	1	BRASS	HEX. NUT	10
1	1	BRASS	CONTACT	9
1	1	BRASS	CLAMP NUT	8
1	1	BRASS	WASHER	7
1	1	SILICON RUBBER	GASKET	6
1	1	BRASS	SLEEVE	5
1	1	BRASS	WASHER	4
1	1	PTFE	INSULATION	3
1	1	PTFE	INSULATION	2
1	1	BRASS	BODY	1
6--0	1--0	MATERIAL	DESCRIPTION	ITEM



THIS DRAWING IS A CONTROLLED DOCUMENT.

DIMENSIONS:	TOLERANCES UNLESS OTHERWISE SPECIFIED:
mm	0 PLC ± .05
	1 PLC ± .02
	2 PLC ± .01
	3 PLC ± .005
	4 PLC ± .002
	ANGLES ± .05
MATERIAL:	FINISH:
SEE TABLE	-

DWN	J. SANDWELL	13JUL06	Tyco Electronics Corporation	
CHK	S. PARLOW	13JUL06	Bideford EX39 4HE	
APVD	F. WHEELER-KING	13JUL06	NAME	
PRODUCT SPEC	411-3253	WEIGHT	BNC STRAIGHT BULKHEAD JACK MIL-CLAMP 75 OHM	
APPLICATION SPEC		SIZE	RG179B/U, 187A/U, URM111	
CUSTOMER DRAWING	SCALE	CAGE CODE	DRAWING NO	
	NTS	A3 00779	C-1478139	
	SHEET	1	REV	
	OF	1	B	