

4

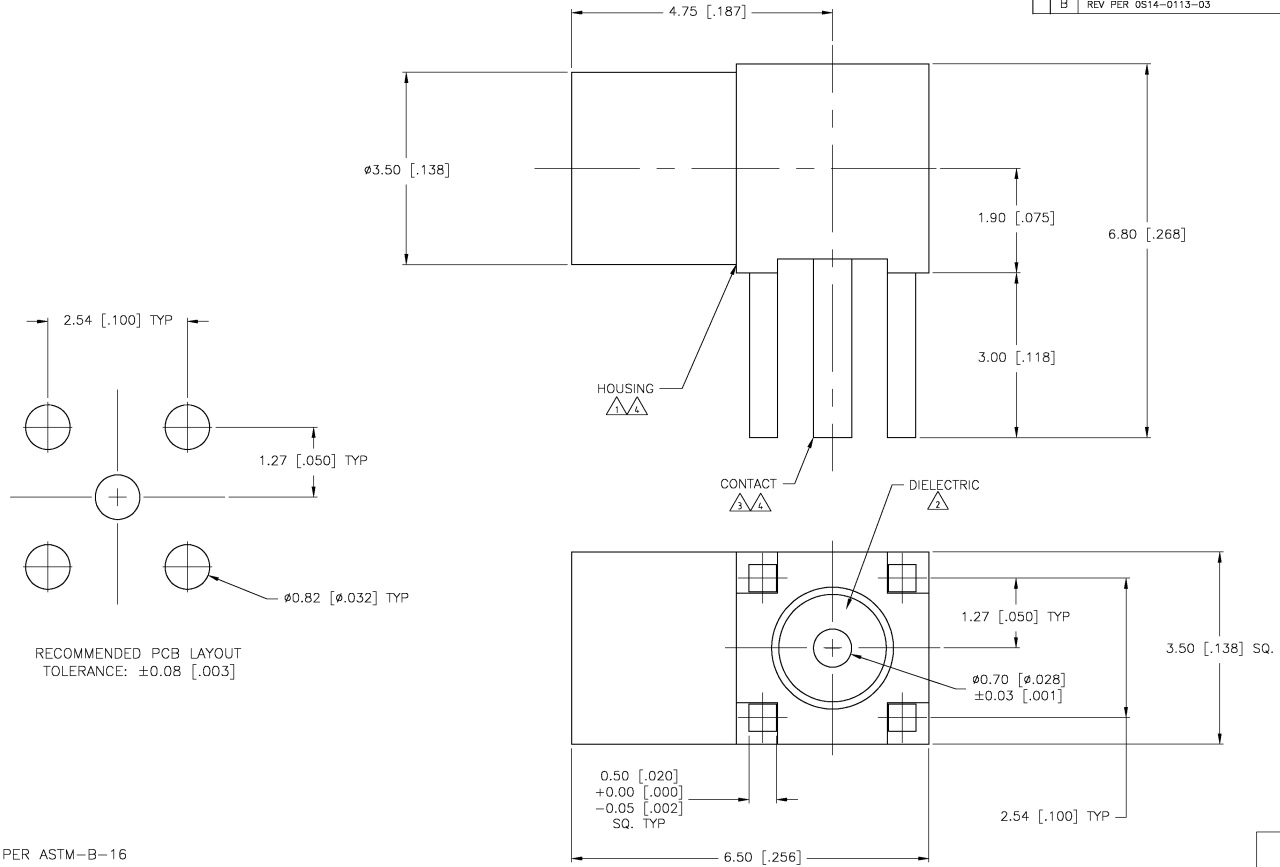
3

2

1

THIS DRAWING IS UNPUBLISHED. RELEASED FOR PUBLICATION
 © COPYRIGHT BY TYCO ELECTRONICS CORPORATION. ALL RIGHTS RESERVED.

LOC	DIST	REVISIONS					
		F	LTR	DESCRIPTION	DATE	OWN	APPD
AJ	-	B		REV PER 0514-0113-03	07APR03	KW	KW



RECOMMENDED PCB LAYOUT
 TOLERANCE: ±0.08 [0.003]

- △ BRASS PER ASTM-B-16
- △ PTFE PER ASTM-D-1710
- △ BERYLLIUM COPPER PER ASTM-B-196
- △ GOLD PLATE PER MIL-G-45204

1408151-1
 PART NUMBER

THIS DRAWING IS A CONTROLLED DOCUMENT.		DRW	21NDG01	Tyco Electronics Corporation Middletown, PA 17057	MMCX JACK, RIGHT ANGLE, PCB
DIMENSIONS: MM [INCHES]		DRW	21NDG01		
TOLERANCES UNLESS OTHERWISE SPECIFIED:		APD	21NDG01	NAME	
0 P.L.C.	±	108-2084		CUSTOMER DRAWING	
1 P.L.C.	±	APPLICATION SPEC		SIZE	CAGE CODE
2 P.L.C.	±	WEIGHT		00779	1408151
3 P.L.C.	± 0.15 (0.006)	MATERIAL		SCALE	20:1
4 P.L.C.	±	FINISH		SHEET	1 OF 1
ANGLES	±	MATERIAL		REV	B