

4

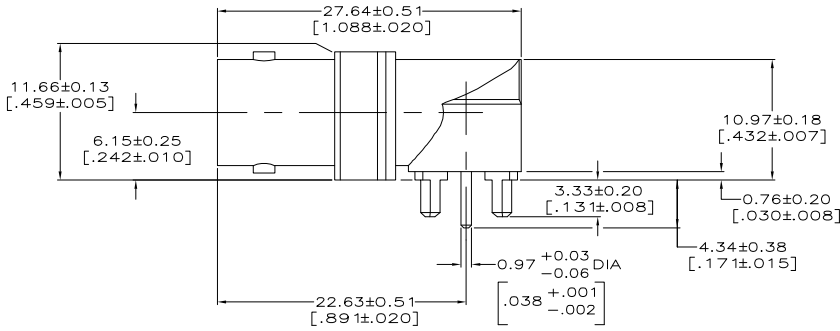
3

2

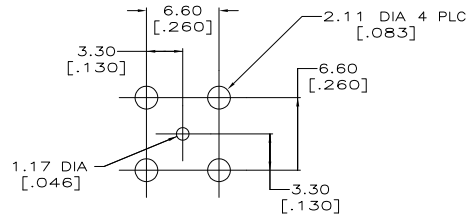
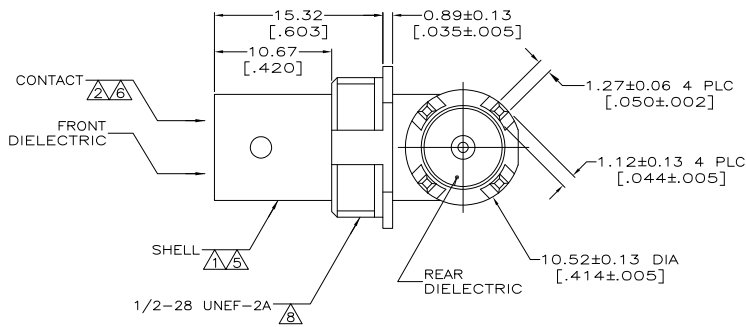
1

THIS DRAWING IS UNPUBLISHED. RELEASED FOR PUBLICATION  
 © COPYRIGHT BY TYCO ELECTRONICS CORPORATION. ALL RIGHTS RESERVED.

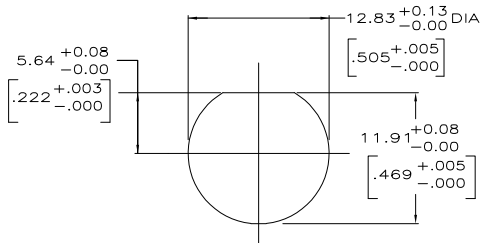
LOC	DIST	REVISIONS					
		F	LTR	DESCRIPTION	DATE	DWN	APD
AJ	00	A		REV PER ECO 06-024121	1/29/2007	DW	JL



- 1 ZINC PER QQ-Z-363.
- 2 PHOSPHOR BRONZE PER QQ-B-750.
- 3 PTFE PER MIL-P-19468.
- 4 POLYMETHYLPENTENE, GENERAL PURPOSE
- 5 TIN PLATE PER ASTM-B-545, 3.81µm [.000150] MINIMUM THICK OVER
- 6 GOLD PLATE PER MIL-G-45204, 0.76µm [.000030] MINIMUM THICK.
- 7. INTERFACE PER MIL-C-39012
- 8 MODIFIED MAJOR DIAMETER TO 12.29 [.484]



PCB CONFIGURATION



RECOMMENDED PANEL CUTOUT

REAR	FRONT	5415025-2
		5415025-1
DIELECTRIC MATERIAL		PART NUMBER

THIS DRAWING IS A CONTROLLED DOCUMENT.		DRN: G. ATTADIA 01FER2005	Tyco Electronics Corporation	
DIMENSIONS: mm [INCHES]		CHK: J. HAVENER 01FER2005	Harrisburg, PA 17105-3608	
TOLERANCES UNLESS OTHERWISE SPECIFIED:		APPC: J. LIPPERT 01FER2005	NAME: JACK, RIGHT ANGLE, 50 OHM, PCB, BNC	
0 PLC ± .-	1 PLC ± .-	PRODUCT SPEC: 108-12078	SIZE: CASE CODE: DRAWING NO: A2 00779 C=5415025	
2 PLC ± .008 (0.03)	3 PLC ± .-	APPLICATION SPEC: -	RESTRICTED TO: -	
4 PLC ± .-	ANGLES ± .-	WEIGHT: -	CUSTOMER DRAWING	
MATERIAL: SEE NOTES 1-4		FINISH: SEE NOTES 5, 6		SCALE: 4:1 SHEET: 1 of 1 REV: A

AMP 1471-9 REV 31MM2000

5415025

A