

4

3

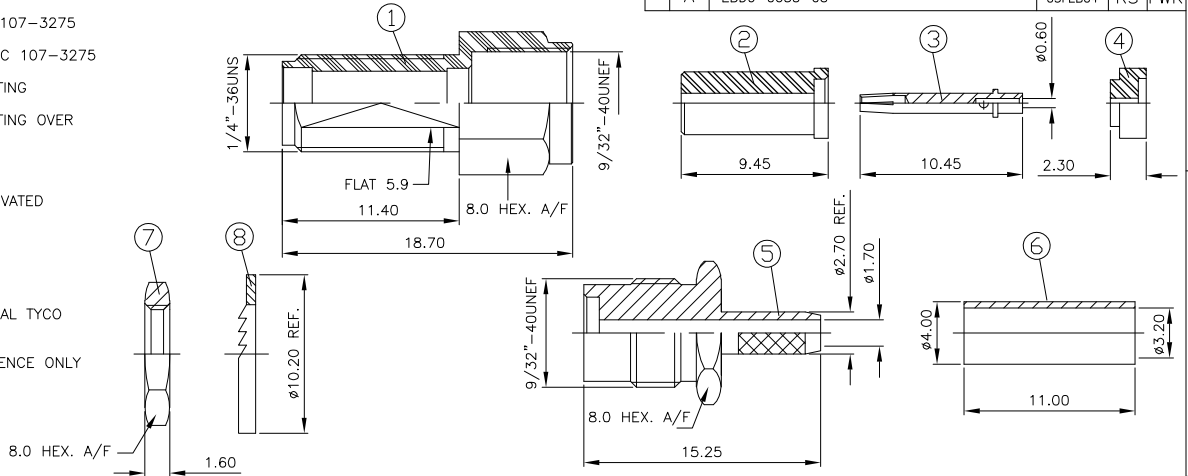
2

1

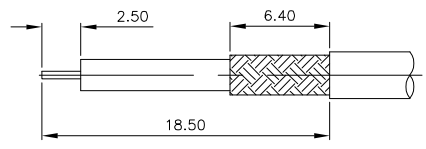
THIS DRAWING IS UNPUBLISHED. RELEASED FOR PUBLICATION APRIL, 2004. COPYRIGHT 2004 BY TYCO ELECTRONICS CORPORATION. ALL RIGHTS RESERVED.

LOC	DIST	REVISIONS			
P	LTR	DESCRIPTION	DATE	DWN	APVD
E	B	A	EBD0-0035-03	05FEB04	RS FWK

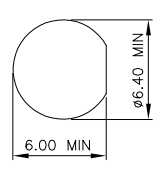
- NOTES:
- 1 SINGLE PACK IN ACCORDANCE WITH SPEC 107-3275
  - 2 100 TRAY PACK IN ACCORDANCE WITH SPEC 107-3275
  - 3 0.08µm Au PLATING OVER 1.27µm Ni PLATING
  - 4 0.76µm Au PLATING OVER 1.27µm Ni PLATING OVER 0.76µm Cu PLATING
  - 5 PASSIVATED
  - 6 PLATING AS PER BODY, EXCEPT FOR PASSIVATED WHICH IS NICKEL PLATED
  - 7 HAND TOOL 9-1478240-0
  - 8 DIE SET 9-1478248-0
  - 9 FOR TECHNICAL DATA REFER TO YOUR LOCAL TYCO ELECTRONICS SALES OFFICE
  - 10 ALL DIMENSIONS ARE NOMINAL FOR REFERENCE ONLY UNLESS OTHERWISE STATED



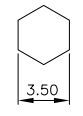
RECOMMENDED CABLE STRIPPING DIM'S



RECOMMENDED MOUNTING HOLE DIM'S



RECOMMENDED CRIMP SLEEVE A/F HEX



QTY	UNIT	QTY	UNIT	QTY	UNIT	QTY	UNIT	MATERIAL	DESCRIPTION	ITEM
1	1	1	1	1	1	1	1	STAINLESS STEEL	WASHER	8
1	1	1	1	1	1	1	1	STAINLESS STEEL	NUT	7
1	1	1	1	1	1	1	1	BRASS	CRIMP SLEEVE	6
1	1	1	1	1	1	1	1	STAINLESS STEEL	BODY	5
1	1	1	1	1	1	1	1	STAINLESS STEEL	BODY	5
1	1	1	1	1	1	1	1	PTFE	INSULATOR	4
1	1	1	1	1	1	1	1	BERYLLIUM COPPER	CENTER SOCKET	3
1	1	1	1	1	1	1	1	PTFE	INSULATOR	2
1	1	1	1	1	1	1	1	STAINLESS STEEL	SHELL	1
1	1	1	1	1	1	1	1	STAINLESS STEEL	SHELL	1
2	1	2	1	1	1	1	1	MATERIAL	DESCRIPTION	ITEM

THIS DRAWING IS A CONTROLLED DOCUMENT.

DIMENSIONS:	TOLERANCES UNLESS OTHERWISE SPECIFIED:	DWN	R.SMITH	05FEB04	<b>tyco</b>	Tyco Electronics Corporation
mm	0 PLC ± -	CHK	S.PARLOW	05FEB04	<b>Electronics</b>	Bideford, UK, EX39 4HE
	1 PLC ± -	APVD	F.WHEELER-KING	05FEB04	NAME	SMA STRAIGHT BULKHEAD, JACK SOLDER PIN, CRIMP ATTACHMENT
	2 PLC ± -	PRODUCT SPEC	108-3460	APPLICATION SPEC	SIZE	RG188A/U, RG316/U, RG174A/U, URM95, KX3B, 22A
	3 PLC ± -	WEIGHT	411-3276	RESTRICTED TO	SIZE	A3 00779
	4 PLC ± -	CUSTOMER DRAWING		SCALE	CAGE CODE	1478959
	ANGLES ± -			SHEET	DRAWING NO	1 OF 1
MATERIAL	FINISH			REV		A
SEE TABLE						